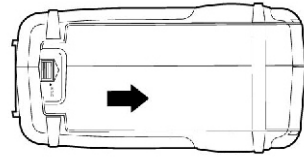
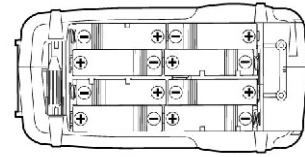


## TRANSMITTER BATTERY INSTALLATION

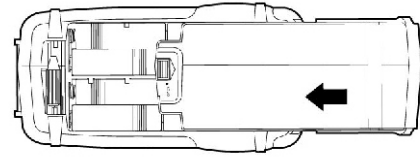
To Open slide Cover



Install Batteries



To Close slide cover



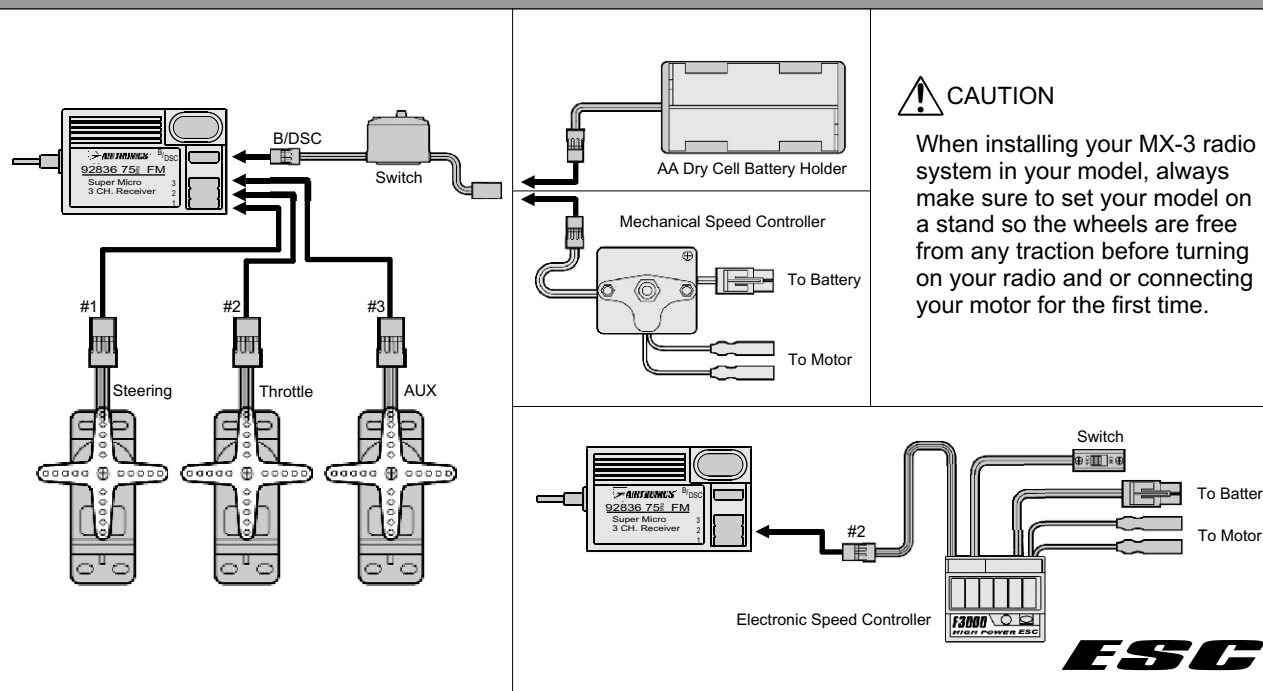
1. Press down on the battery cover and slide in the direction of the arrow to remove.
2. Install 8 pieces "AA" size alkaline batteries as indicated on the battery tray. Make sure to match the polarity (+ and -) as shown in the battery compartment or the transmitter will not function.
3. Install the battery cover in place and slide to close.

**WARNING:** Improper installation of transmitter batteries can cause serious damage to your system.

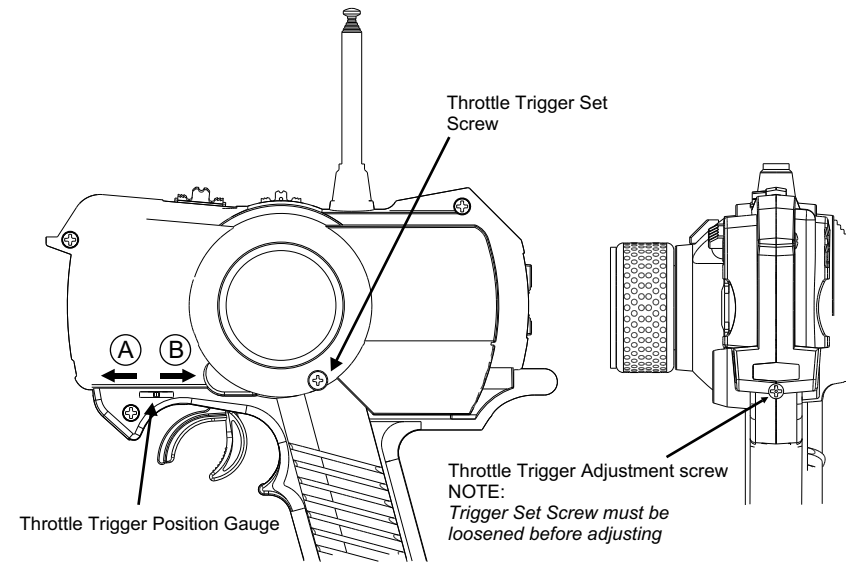
## RECEIVER AND SERVO CONNECTIONS

Your MX-3 Computer R/C system receiver is **NOT** equipped with BEC circuitry. DO NOT use more than 6.0 volts to power the receiver. Anything higher than 6.0 volts will burn-up or destroy your receiver. Only use a 4.8-6.0 volt battery pack or a speed controller that is designed to lower the voltage to the receiver. The following diagram shows a typical connection for the servos and receiver. Note that the receiver antenna should be located at least 2" (50mm) away from any servo leads and switches. In electric cars, we recommend that it be at least 4" (100mm) from the electric motor.

Extend the receiver antenna to the full length. Failure to do so will cause loss of control. Do not cut or bend the receiver antenna. Insulate the connectors with tape or use tie wraps to avoid contact with metal car chassis. Please follow the model manufactures recommendations for the correct installation of your radio system in your car or boat.



## TRIGGER POSITION ADJUSTMENT



The Throttle Trigger can be adjusted to give you a more natural feel of the throttle.

To Adjust:

1. Loosen the Throttle Trigger set screw by turning counter clock-wise.
2. Turning the adjustment screw clock-wise will move the trigger out or in the (A) direction.
3. Turning the adjustment screw counter clock-wise will move the trigger in or towards the (B) direction.
4. After adjustment is made, re-tighten the Trigger Set Screw.
5. Total adjustment for the trigger is 10mm. Do Not over tighten adjustment screw, it may damage the adjuster and or the threads.

## TROUBLESHOOTING GUIDE and WARNINGS

If your radio system does not operate properly, please check the following items:

1. Make sure the batteries are properly installed and fully charged. With alkaline batteries, make certain the batteries are installed in the correct direction.
2. Check that both the transmitter and receiver power switches are in the ON position.
3. Check the battery voltage by turning on the transmitter and pushing both menu buttons at the same time and releasing.
4. Make sure that the proper frequency crystals are installed in both the transmitter and receiver.
5. Make sure all the receiver and servo connections are tight.

### WARNINGS:

DO NOT OPERATE YOUR SYSTEM IF SOMEONE ELSE IS ON YOUR FREQUENCY AT THE SAME TIME.

YOUR MODEL CAN CAUSE SERIOUS DAMAGE OR INJURY SO PLEASE USE CAUTION AND COURTESY AT ALL TIMES.

DO NOT EXPOSE THE RADIO SYSTEM TO WATER OR EXCESSIVE MOISTURE.

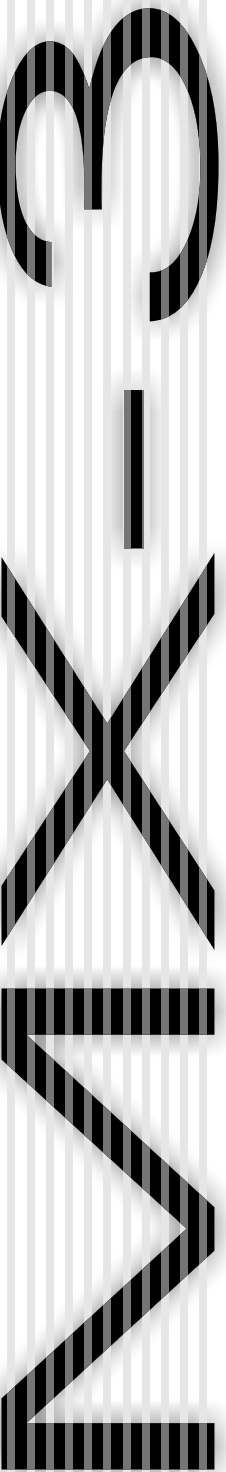
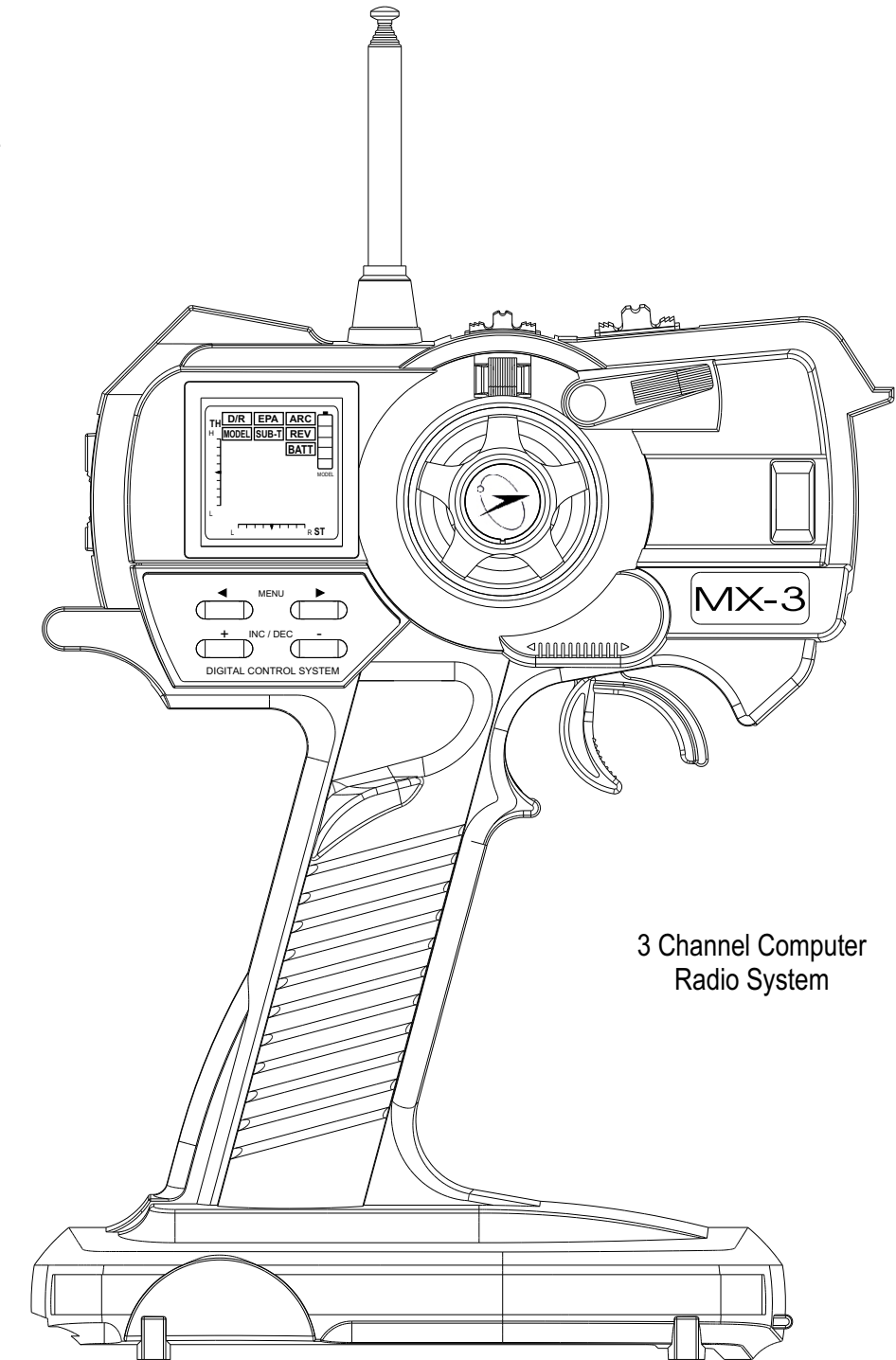
PLEASE WATER PROOF THE RECEIVER AND SERVOS BY PLACING THEM IN A WATER TIGHT RADIO BOX WHEN OPERATING R/C BOAT MODELS.

IF YOU HAVE LITTLE OR NO EXPERIENCE OPERATING R/C MODELS, WE STRONGLY RECOMMEND YOU SEEK THE ASSISTANCE OF EXPERIENCED MODELERS OR YOUR LOCAL HOBBY SHOP FOR GUIDANCE.

## REGISTRATION NUMBER

The abbreviation, IC, before the registration number signifies that registration was performed based on a Declaration of Conformity indicating that Industry Canada technical specifications were met. It does not imply that Industry Canada approved the equipment.

**AIRTRONICS**<sup>®</sup>  
Get The Advantage



We appreciate your purchase of this new Airtronics MX-3 Radio Control System. These instructions are intended to familiarize you with the many unique features of this modern, state of the art equipment. Please read them carefully so you may obtain maximum success and enjoyment from its operation.

Please note that the MX-3 is designed for comfort and precise control of all types of model cars and boats. We wish you the best of success with your radio system. **Enjoy and have fun.**

# MX-3

## SYSTEM FEATURES

Unique and functional pistol grip transmitter design  
Well balanced for precise control  
Non-slip rubber steering wheel  
Well placed digital trim levers  
Optimum third channel switch location  
Big LCD display  
Adjustable (70/30) Throttle trigger  
Low Battery warning  
Quick access transmitter crystal  
High performance micro 3 channel receiver  
High torque / high speed 94102Z servo  
Receiver dry battery holder  
Switch harness  
NiCd charger jack in transmitter  
Wrist strap holder (optional wrist strap part # 99104 )  
Sound Beep ( On / Off )

### Screen Display

Digital Trim indicators (throttle and steering)  
Battery Fuel Tank  
Dual Rate Steering  
EPA Steering, Throttle, AUX  
ARC Steering, Throttle  
Model Memory (5)  
Sub-Trim Steering, Throttle  
Servo Rev Steering, Throttle, AUX  
Battery Voltage Display  
Audio On / Off

## SYSTEM SPECIFICATIONS

### Transmitter

Model: MX-3  
Output power: 200 MW  
Modulation: FM/PPM  
Power supply: 8 AA alkaline dry cells DC 12V or 8 cell NiCd Pack.  
Weight: 14.46 ounces  
Frequencies: 27 MHz (6) frequencies  
75 Mhz (30) frequencies

### Receiver

Model: 92837Z (27 MHz) or 92836Z (75 MHz)  
Modulation: FM/PPM  
Intermediate frequency: 455 KHz  
Power supply: DC 4.8 ~6.0V  
Weight: 0.67 ounces  
Dimensions: 1.65"(L) x 1.06"(W) x 0.57"(H)

### Servo

Model: 94102Z Heavy duty standard servo  
Power supply: DC 4.8 ~ 6.0V  
Dimensions: 1.54"(L) x 0.79"(W) x 1.42"(H)  
Weight: 1.59 ounces  
Speed: 0.16 sec. At 6.0V for 60 deg rotation  
Torque: 53 in/oz at 6.0V

### Accessories

97001Z switch harness  
Frequency flag  
Receiver dry battery holder  
instruction manual

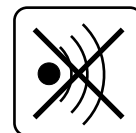
### Options

95046Z Transmitter NiCd Battery Pack ( 700mah )  
95033Z NiCd Dual Battery Charger TX and RX  
96317Z F3000 speed controller (no reverse)  
99104 Deluxe wrist strap

## LCD DISPLAY SCREENS

|  |   |   |
|--|---|---|
|  | <b>Battery</b><br>Pressing both menu buttons simultaneously, will automatically move the cursor to the battery voltage screen. Low battery warning beep will come on when battery reaches 9.1V  |   |
|  | <b>Servo Reverse</b><br>Press the left menu key to move the cursor to the REV screen. The screen will now display AUX. Change the servo direction by pressing (INC or DEC) key for the AUX channel. By pressing the left menu key again, you can change the TH and ST directions.   | <b>Default</b><br>ST NOR<br>TH NOR<br>AUX NOR   |
|  | <b>Sub Trim</b><br>Press the left menu key to move the cursor to the SUB-T screen. The screen will now display TH. Adjust the sub-trim by using the (INC or DEC) key. Press the left menu key to display the ST and adjust using the (INC or DEC) key.  | <b>Default</b><br>ST 0<br>TH 0<br><b>Range +15 ~ -15</b>  |
|  | <b>Model Select</b><br>Press the left menu key to move the cursor to MODEL. The screen will now display the model number you are currently using. To change models, press the (INC or DEC) key to select model 1 ~ 5.   | <b>Range 1 ~ 5</b>  |
|  | <b>Arc</b><br>Press the left menu key to move the cursor to ARC. The screen will now display TH. Adjust the ARC by pressing the (INC or DEC) key. Press the left menu key to adjust the ST. (NOTE) Steering ARC will work in both left and right directions. Throttle ARC only works in forward direction.                        | <b>Default</b><br>ST 0<br>TH 0<br><b>Range - 100 ~ 100</b>  |
|  | <b>End Point Adjustment</b><br>Press the left menu key to move the cursor to EPA. The screen will now display AUX (L) or (R). By moving the AUX channel lever, you will see the (L or R) change. EPA can be set for both directions. To set TH, move trigger forward or back to see (H or L). Move steering wheel to see (L or R) | <b>Default</b><br>ST 100%<br>TH 100%<br>AUX 100%<br>ST: Range 0% ~ 120%<br>TH-L: Range 0% ~ 160%<br>TH-H: Range 0% ~ 140%<br>AUX: Range 0% ~ 150% |
|  | <b>Steering Dual Rate</b><br>Press the left menu key to move the cursor to EPA. The screen will now display ST. This will display your current Steering Dual Rate setting. You can change this setting by using the (INC or DEC) keys or, by moving the D/R lever located above the steering wheel.                               | <b>Default</b><br>ST 100%<br><b>Range 0% ~ 120%</b>   |

## AUDIO ON / OFF Beep



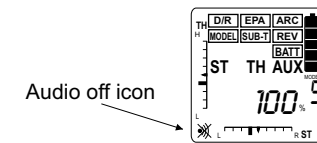
Audio off icon

By default the audio sound beep is in the on position. This beep will sound out every time you press any of the input or trim keys. You can turn the audio off by:

1. Turn radio power switch to the off position
2. Press the INC key down and hold.
3. Turn power switch to the on position
4. Release the INC key.

To turn the audio sound on, repeat steps 1 ~ 4.

NOTE: When audio sound is "ON", there will be no icon displayed in the lower left of the display screen.



Audio off icon

