

SHARE PARTS

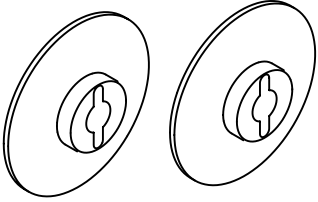
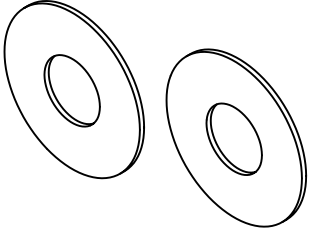
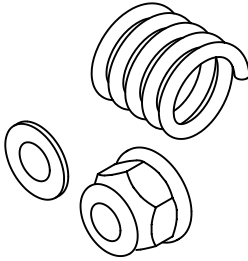
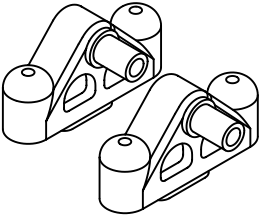
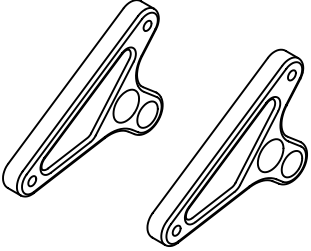
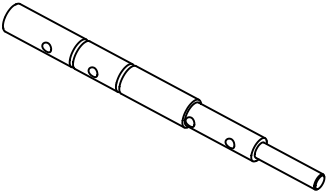
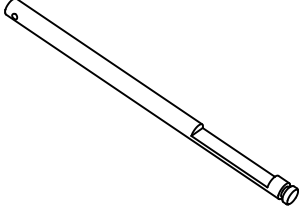
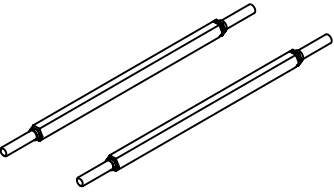
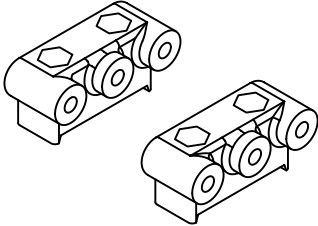
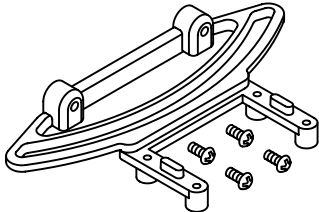
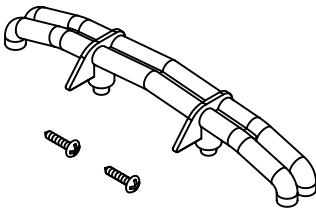
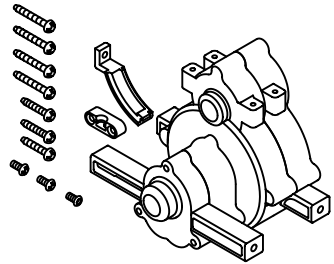
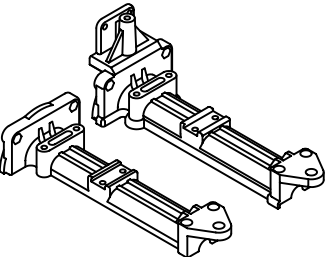
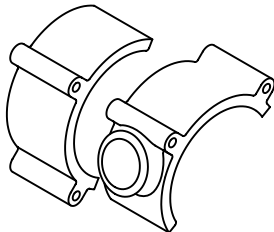
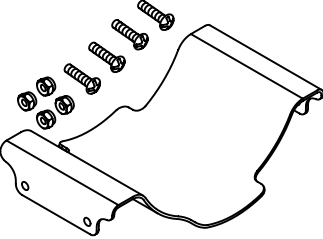
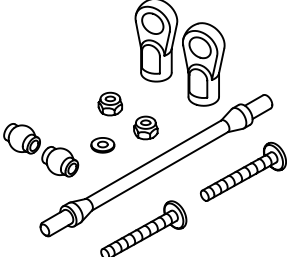
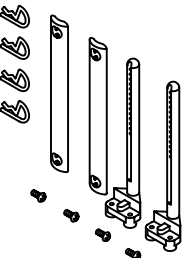
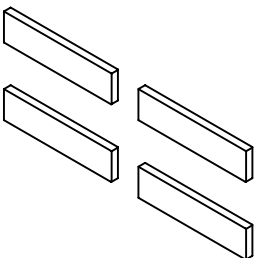
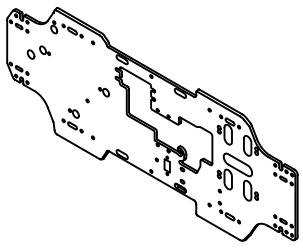
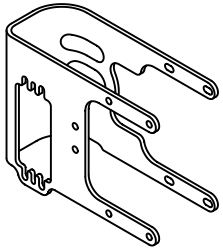
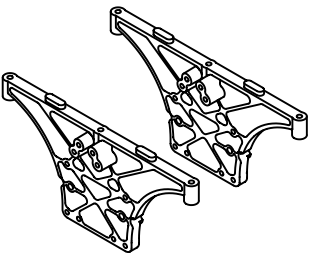
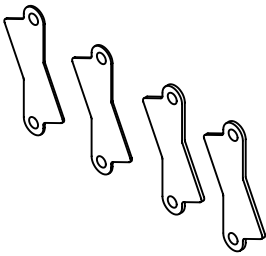
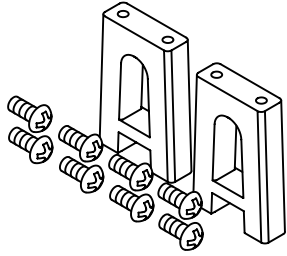
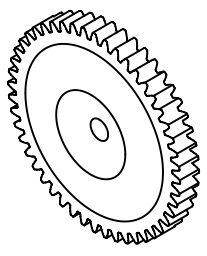
No:	No:	Description	Quantity
200803	149720	X-FACTOR BODY CLEAR	
200803YB	149721	X-FACTOR BODY PAINTED YELLOW/BLACK	
200803YBL	149722	X-FACTOR BODY PAINTED YELLOW/BLUE	
200803YP	149723	X-FACTOR BODY PAINTED YELLOW/PURPLE	
BB050825T	149559	5 x 8 x 2.5 FLANGE XTRM	
BB061305		6 x 13 x 5 BALL BEARING XTRM	
BB081235T		8 x 12 x 3.5 FLANGE XTRM	
BB081605	149563	BALL BEARING 8 x 16 x 5(688ZZ) XTRM	
CB198	149551	CLUTCH SHOES XTRM, X-FACTOR	156x3,157x1
CB199	149557	CLUTCH SPRING XTRM,X-FACTOR	157x1
CB399	149719	NEW PLASTIC SERVO SAVER X-FACTOR	365x1,366x1,367x1
MS008	149601	SLIPPER DISK(2) X-FACTOR	301x2
MS0081	149603	SLIPPER PAD(2) X-FACTOR	302x2
MS010	149729	SPRING AND NUT FOR SLIPPER CLUTCH X-FACTOR	303x1
MS1101	149607	CANTILEVER MOUNT (2) X-FACTOR	304x2
MS1102	149609	CANTILEVER BELLCRANK (2) X-FACTOR	305x2
MS1172	149613	MAIN GEAR SHAFT X-FACTOR	306x1
MS126	149619	BRAKE LEVEL HEAD X-FACTOR	307x1
MS1301	149621	STEERING ROD (2) X-FACTOR	308x2
MS1321	149623	LINK ROD MOUNT<2> X-FACTOR	309x2
MS1401	149627	BUMPER MOUNT X-FACTOR	310x1
MS1402	149629	BUMPER X-FACTOR	311x11
MS16201	149631	MAIN GEAR BOX X-FACTOR	312x1,313x1,314x1,315x1,316x1
MS162021	149633	F&R GEAR BOX X-FACTOR	317x1,318x1
MS162022	149635	F&R GEAR BOX,MIDDLE/X-FACTOR	319x1,320x1
MS16203	149637	GEAR BOX SKID PLATE X-FACTOR	321x1
MS1621	149611	CANTILEVER ROD X-FACTOR	19x2,61x1,322x2
MS1651	149639	BODY POST (2) X-FACTOR	323x2,324x2
MS2141		WHEEL SPONGE	365x4
MS3011TA	149641	CHASSIS TI-COLOR X-FACTOR	325x1
MS3021TA	149643	SERVO PLATE TI-COLOR X-FACTOR	326x1
MS3041	149645	GEAR BOX MOUNT (2) X-FACTOR	327x2
MS306	149647	BRAKE PAD X-FACTOR	328x2,329x2
MS310	149649	SERVO MOUNT (2) X-FACTOR	330x2
MS3301	149651	MAIN GEAR 48T X-FACTOR	331x1
MS3303	149653	GEAR 20T / 2 SPEED X-FACTOR	332x1
MS3304	149655	GEAR 24T / 2 SPEED X-FACTOR	333x1
MS3305	149657	GEAR 46T / 2 SPEED X-FACTOR	334x1
MS3306	149659	GEAR 50T / 2 SPEED X-FACTOR	335x1
MS3307		6X10X3.1 PLASTIC BUSHING<2>	336x2
MS3331	149661	2SPEED CLUTCH HOUSING(36)	337x1
MS3332	149663	2SPEED ONE WAY MOUNT W/B.B.X-FACTOR	338x1
MS3333	149665	2SPEED CLUTCH X-FACTOR	339x1
MS3401	149667	CAR HANDLE X-FACTOR	340x1
MS3471	149669	GEAR BOX ROD L=97 LOWER (2) X-FACTOR	341x2
MS3472	149671	GEAR BOX ROD L=105 UPPER (2) X-FACTOR	342x2
MS3551	149673	AXLE SHAFT (2) X-FACTOR	343x2
MS3552	149675	AXLE SHAFT COUPLER (2) X-FACTOR	344x2
MS3571	149677	UNIVERSAL FRONT X-FACTOR	345x1
MS3572	149679	UNIVERSAL REAR X-FACTOR	346x1
MS3611	149681	STABILIZING ROD SET 2.8MM (2) X-FACTOR	347x2
MS3741	149683	RECEIVE BOX X-FACTOR	348x1,349x2
MS3742	149685	BATTERY BOX ROMA X-FACTOR	350x1,349x2
MS3743	149687	SERVO BOX FOAM PLATE1.5MM X-FACTOR	351x2
MS3761	149691	MUFFLER MOUNT X-FACTOR	353x1,354x1

SHARE PARTS

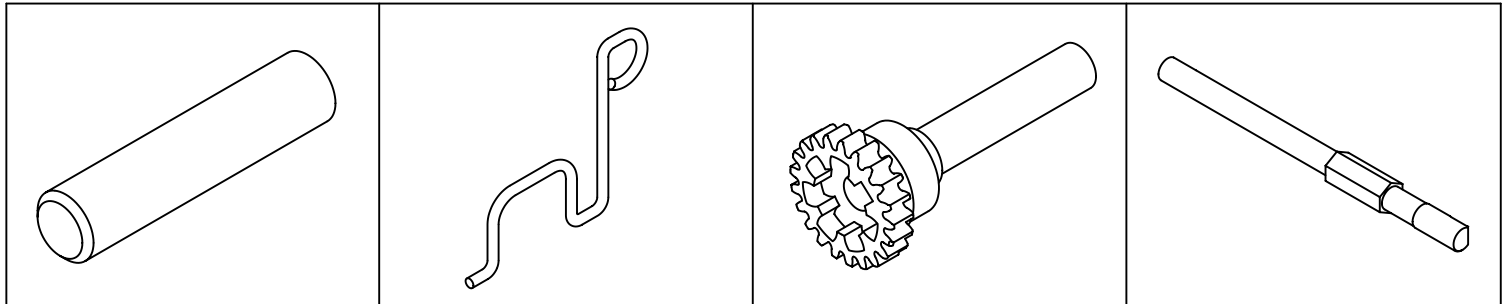
No:	No:	Description	Quantity
MS376BA	149689	MUFFLER BLACK , X-FACTOR	352x1
MS75002B	149693	FWD/REV TRANSMISSION GEAR X-FACTOR	355x1
MS75003B	149695	FWD/REV MAIN GEAR 21T X-FACTOR	356x1
MS75004B	149697	GEAR 10T X-FACTOR	357x1
MS75006B	149699	PIN 5X22.6/FOR GEAR 10T , X-FACTOR	358x1
MS75009B		TRANSMISSION LINKAGE	359x1
MS75011GV	149701	MAIN GEAR W/TUBE X-FACTOR	360x1
MS75012GV	149703	LOWER TRANS SHAFT X-FACTOR	361x1
MV105	149301	WHEEL SHAFT 2PCS XTRM , X-FACTOR	1x2
MV1131	149731	4MM BALL W/FLANGE X-FACTOR	158x4
MV120	149319	BODY PIN TYPE"R"(L=27) 10PCS XTRM	10x10
MV134	149343	WHEEL HUB FRONT 2PCS XTRM , X-FACTOR	27x2
MV1382	149347	SHOCK SPRING SPACER XTRM , X-FACTOR	32x4,33x4,34x2,35x2,36x2.37x3
MV1385	149355	DUSTCOVERS FOR SHOCKS XTRM , X-FACTOR	41x4
MV1386	149357	SHOCK REBUILD KIT XTRM , X-FACTOR	42x2,43x2,44x2
MV1391	149361	SHOCK SHAFT REAR SET L=61MM , XTRM , X-FACTOR	28x2,29x2,30x4,45x2
MV1393Y	149363	SHOCK SPRING REAR<1.6MM,L=80.5,YELLOW>	46x2
MV1394B	149365	SHOCK BODY REAR BLUE XTRM , X-FACTOR	39x2,47x2
MV1394TA	149367	SHOCK BODY REAR TI-COLOR XTRM , X-FACTOR	39x2,47x2
MV139BY	149368	SHOCK ABSORBER REAR (BLUE) X-FACTOR	
MV139TAY	149369	SHOCK ABSORBER REAR XTRM , X-FACTOR	
MV197	149407	ENGINE NUT FOR REG SHAFT XYRM , X-FACTOR	
MV2031Y	149409	AIR FILTER 1/8	74x1,75x1,76x1,77x1
MV2032	149411	AIR FILTER SPONGE 2PCS 1/8	76x2
MV204	149413	CLUTCH NUT - SG SHAFT XTRM 21 , 24.7	78x1
MV2052BA	149705	REAR ADAPTER (BLACK) X-FACTOR	81x1,82x1,362x1
MV2271	149420	F/R DIFF. GEAR ASSEMBLY XTRM , X-FACTOR	
MV2281	149421	RING GEAR GEAR 43T XTRM , X-FACTOR	84x1
MV2282	149423	PINION GEAR 13T XTRM , X-FACTOR	85x1
MV2285	149428	DIFFERENTIAL SET XTRM , X-FACTOR	87x1,88x1,89x2,90x4,91x2
MV3031	149439	FUEL TANK 125C.C. XTRM , X-FACTOR	96x1
MV308	149467	RADIO/FUEL POST L=32MM 1 PC XTRM , X-FACTOR	52x1
MV309	149469	BRAKE DISK XTRM , X-FACTOR	115x1
MV310	149471	SERVO MOUNT SET XTRM , X-FACTOR	116x1
MV3112B	149477	ENGINE MT SPACER BLUE , X-FACTOR	119x2
MV3112TA	149479	ENGINE MT SPACER TI-COLOR XTRM , X-FACTOR	119x2
MV3113B	149481	ENGINE MT BLUE XTRM , X-FACTOR	120x2
MV3113TA	149480	ENGINE MOUNT X-FACTOR	120x2
MV3531	149499	FT HUB ROCKER PIN 4 PCS XTRM , X-FACTOR	133x4
MV3574		CVD CONNECT HEAD	
MV363	149511	FLY WHEEL ALUM XTRM , X-FACTOR	143x1
MV36931	149715	BIG TIRE (165X100) X-FACTOR	363x2
MV37010GA	149710	WHEEL(2) X-FACTOR	364x2
MVC15T3	149581	CLUTCH BELL 15T STEEL , XTRM , FACTOR	
MVC16T3	149582	CLUTCH BELL 16T STEEL , XTRM , FACTOR	
MVC17T3	149583	CLUTCH BELL 17T STEEL , XTRM , FACTOR	
MVC18T3	149584	CLUTCH BELL 18T STEEL , XTRM , FACTOR	
PINR20X98		PIN 2X9.8	
SE002	149553	ROD STOPPER SET XTRM , X-FACTOR	153x4
SE0031Y	149555	PLASTIC PARTS SET XTRM , X-FACTOR	154x1
SE009	149717	EXHAUST COUPLER X-FACTOR	155x1
V221514	148727	BALL END (7x4)(L=25.5)4,X-FACTOR	368x4
V221523	149547	BALL END 3MM / 7MM BALL XTRM , X-FACTPR	28x4
V221534		BALL END (7x4)(L=25.5)4,X-FACTOR	369x4

OPTION PARTS

No:	No:	Description	Quantity
SS1101B		ABSORBER LEVER MOUNT<ALLU,BLUE>(2)	
SS11021B		ABSORBER LEVER <ALLU,BLUE>(2)	
SS13211B		LINK ROD MOUNT<ALLU,BLUE>(2)	
SS1403B		WHEELIE BAR<ALLU,BLUE>(2SET)	
SS30411B		GEAR BOX MOUNT<ALLU,BLUE>(2)	
SEM2032		AIR FILTER SPONGE FOR ROUND	
SEM2287		DIFFERENTIAL CASE (ALLU)	
SE030		DUSTERPROOF FOR SWITCH(2PCS)	
SE110		SILICONE SHOCK OIL<#400>(2oz)	
SE120		AIR CLENER OIL(2oz)	
MV2286		DIFFERENTIAL GEAR (STELL)	

			
<b>MS008</b> TORSION PAD (2PCS)	<b>MS0081</b> TORSION PAD (2PCS) <ASBESTOS>	<b>MS010</b> SPRING AND NUT	<b>MS1101</b> ABSORBER LEVER MOUNT (2PCS)
			
<b>MS1102</b> ABSORBER LEVER (2PCS)	<b>MS1172</b> MAIN GEAR SHAFT	<b>MS126</b> BREAK LEVER HEAD	<b>MS1301</b> ROD <4MM*L=117MM> (2PCS)
			
<b>MS1321</b> LINK ROD MOUNT (2PCS)	<b>MS1401</b> FACTOR BUMPER	<b>MS1402</b> BUMPER	<b>MS16201</b> MAIN GEAR BOX
			
<b>MS162021</b> F&R GEAR BOX (FOR L&R)	<b>MS162022</b> F&R GEAR BOX (FOR MIDDLE)	<b>MS16203</b> GEAR BOX SAFE GROUND PLATE	<b>MS1621</b> ABSORBER LINK ROD
			
<b>MS1651</b> BODY SUPPORT SET	<b>MS2141</b> WHEEL SPONGE	<b>MS3011TA</b> FACTOR CHASSIS (TI - COLOR)	<b>MS3021TA</b> SERVO PLATE (TI - COLOR)
			
<b>MS3041</b> GEAR BOX MOUNT (2PCS)	<b>MS306</b> BREAK PAD	<b>MS310</b> SERVO MOUNT (2PCS)	<b>MS3301</b> MAIN GEAR 48T

<b>MS3303</b> GEAR 20T (FOR 2SPEED)	<b>MS3304</b> GEAR 24T (FOR 2SPEED)	<b>MS3305</b> GEAR 46T (FOR 2SPEED)	<b>MS3306</b> GEAR 50T (FOR 2SPEED)
<b>MS3307</b> 6X10X3.1 PLASTIC	<b>MS3331</b> 2SPEED CLUTCH HOUSING (36)	<b>MS3332</b> 2SPEED ONE WAY MOUNT W/B.B.	<b>MS3333</b> 2SPEED CLUTCH
<b>MS3401</b> CAR HANDLE	<b>MS3471</b> GEAR BOX ROD (L=97)	<b>MS3472</b> GEAR BOX ROD (L=105)	<b>MS3551</b> SWING SHAFT (L=118) <2PCS>
<b>MS3552</b> SWING SHAFT CONNECT (2PCS)	<b>MS3571</b> CVD UNIVERSAL JOINT <FRONT>	<b>MS3572</b> CVD UNIVERSAL JOINT <BACK>	<b>MS3611</b> STABILIZING ROD SET (2.8MM) <2PCS>
<b>MS3741</b> RECEIVE BOX	<b>MS3742</b> BETTERY BOX	<b>MS3743</b> SERVO BOX SPONGE PLATE (1.5MM)	<b>MS376BA</b> MUFFLER (BLACK)
<b>MS3761</b> CAR HANDLE	<b>MS75002B</b> FWD/REV TRANSMISSION GEAR	<b>MS75003B</b> FWD/REV MAIN GEAR 21T	<b>MS75004B</b> GEAR 10T

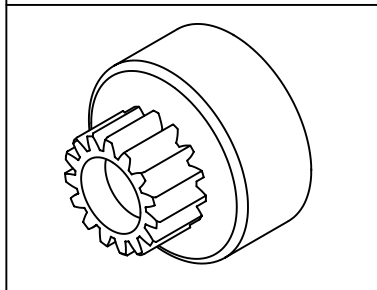


**MS75006B** PIN 5x22.6  
(FOR GEAR 10)

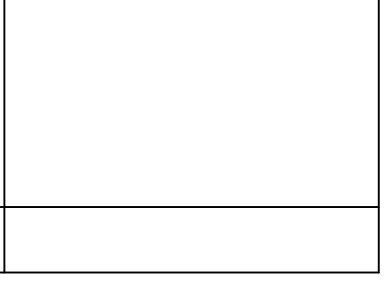
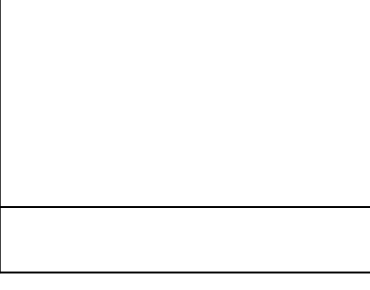
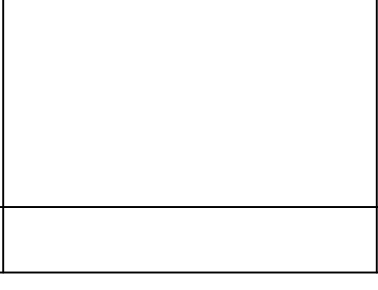
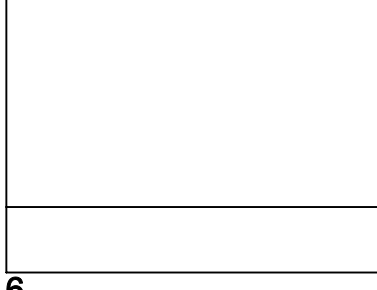
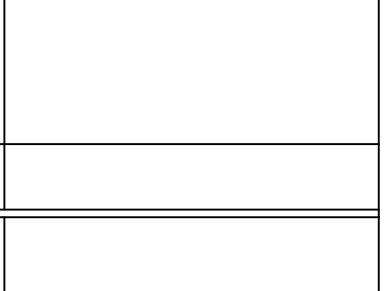
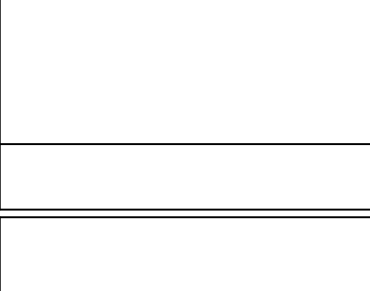
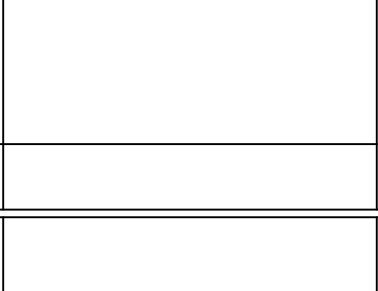
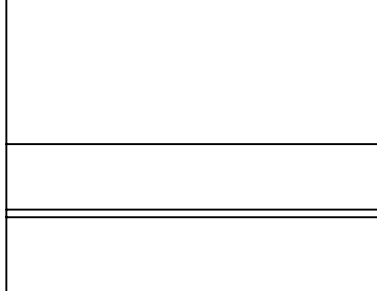
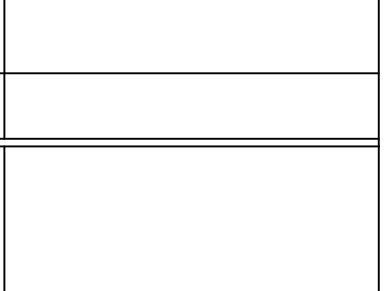
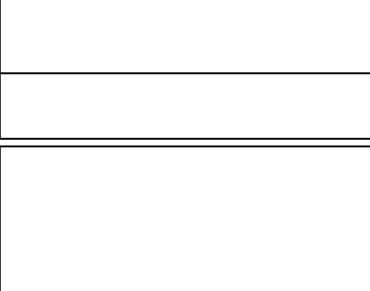
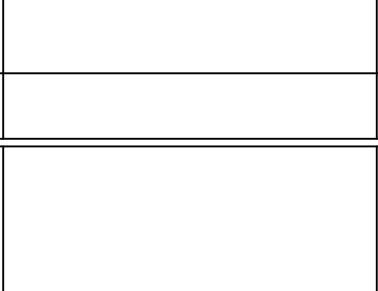
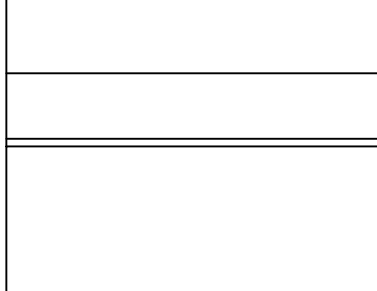
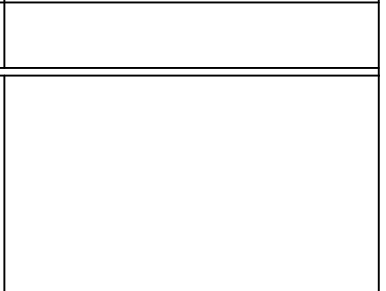
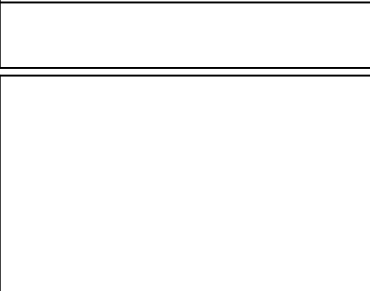
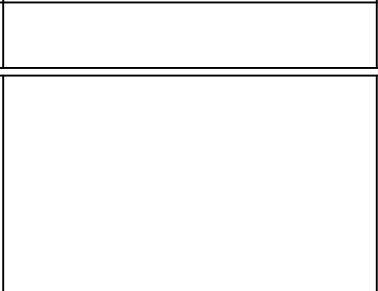
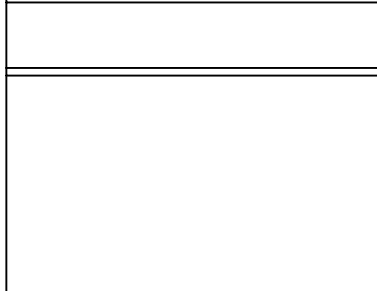
**MS75009B** TRANSMISSION  
LINKAGE

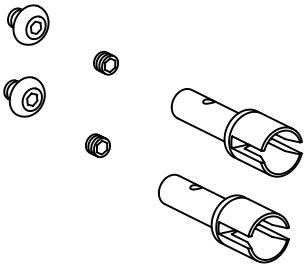
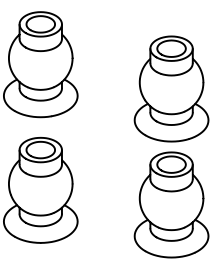
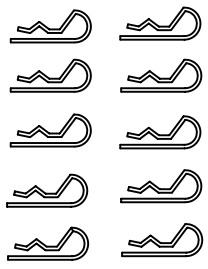
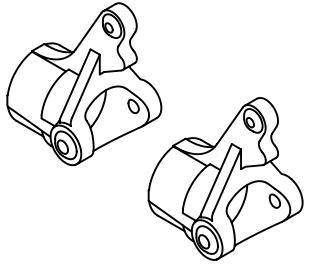
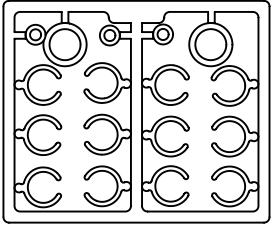
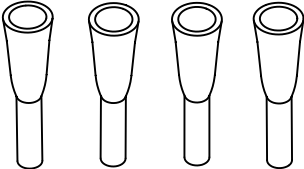
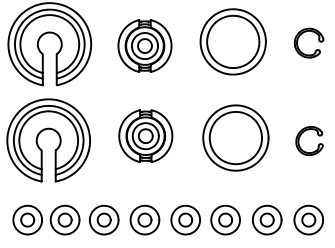
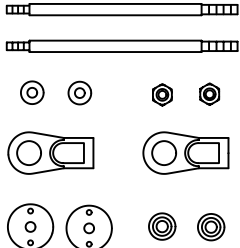
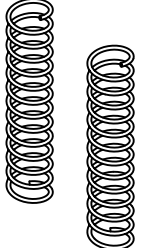
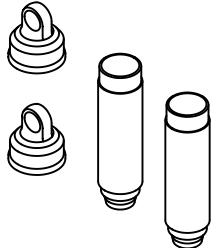
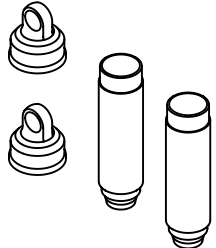
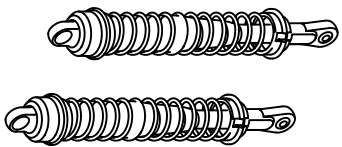
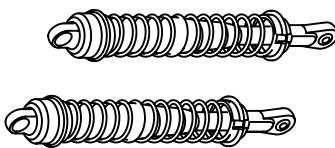
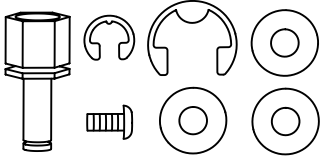
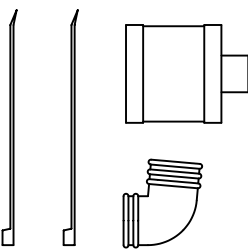
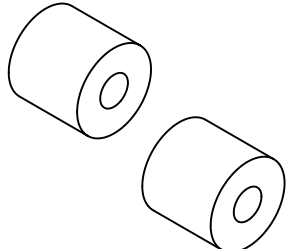
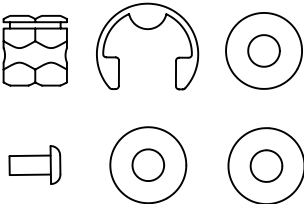
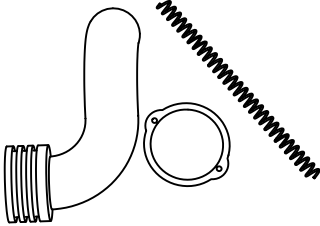
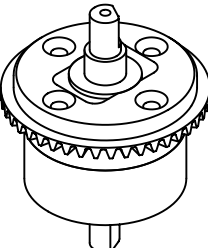
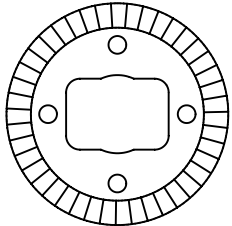
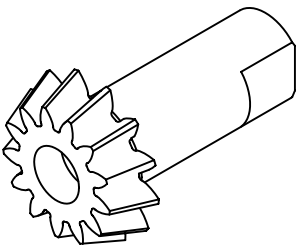
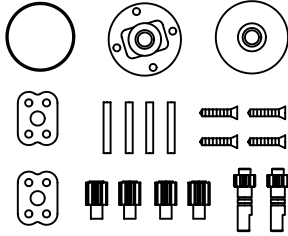
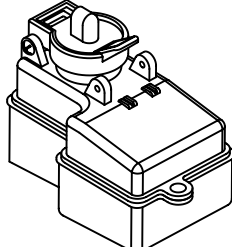
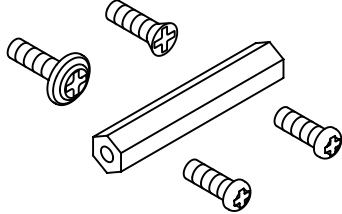
**MS75011GV** MAIN GEAR  
W/TUBE

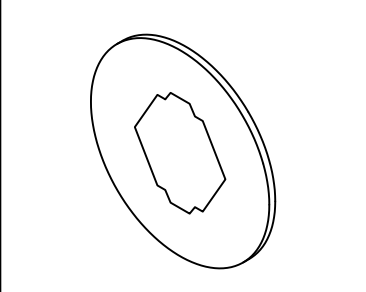
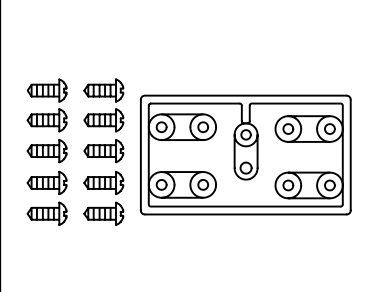
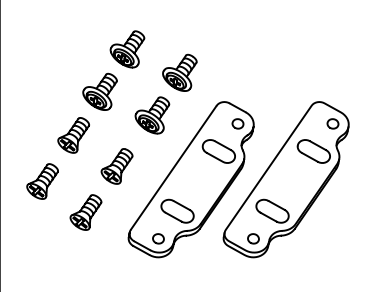
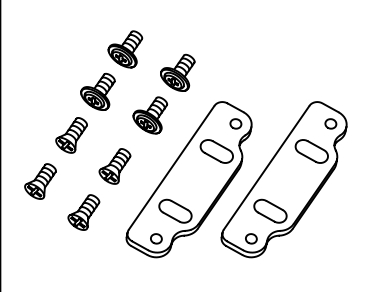
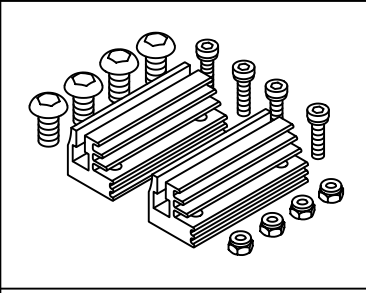
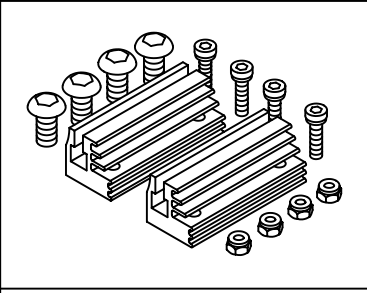
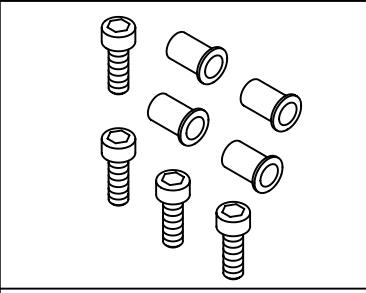
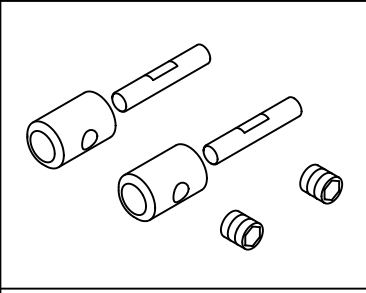
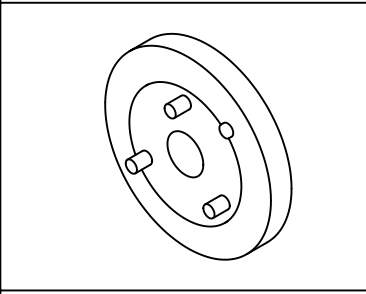
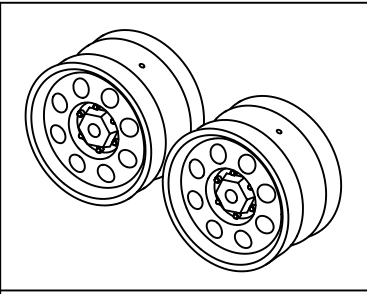
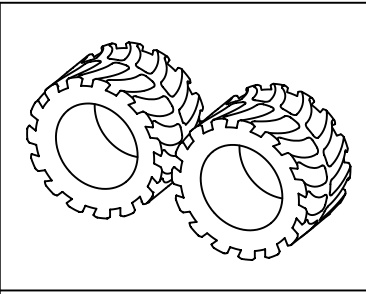
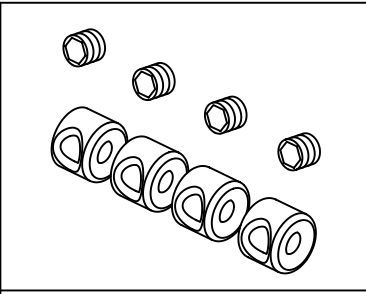
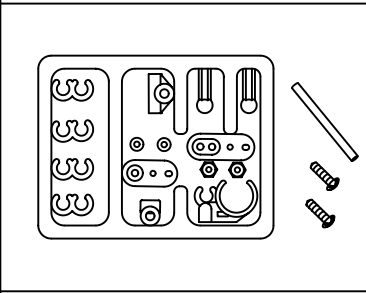
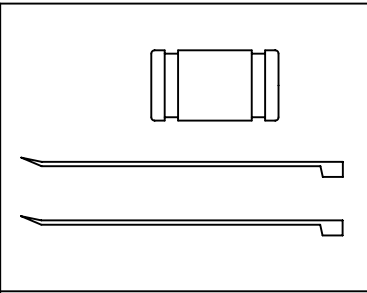
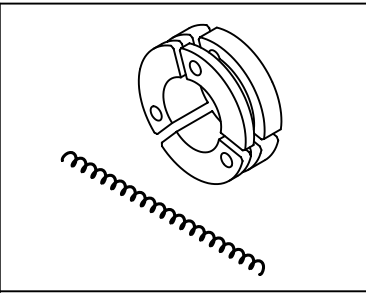
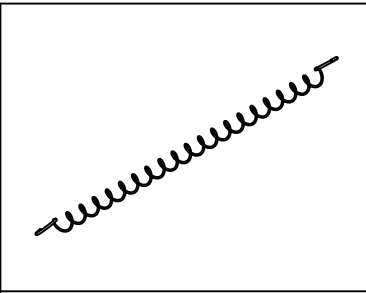
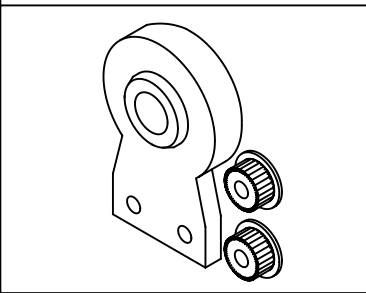
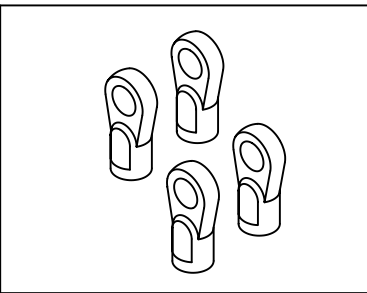
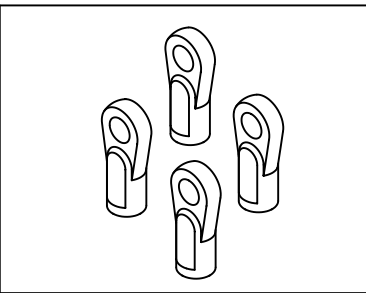
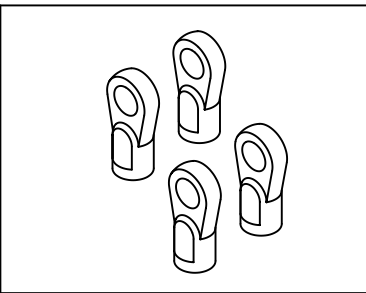
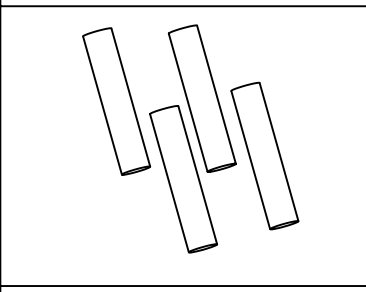
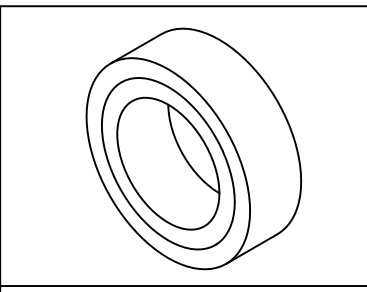
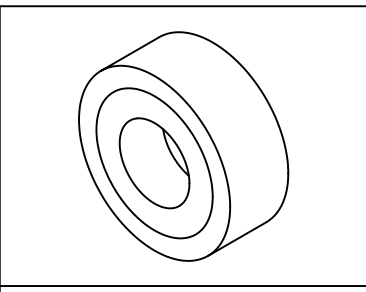
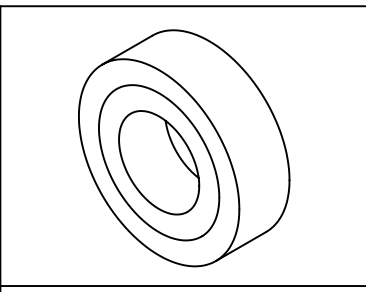
**MS75012GV** MAIN SHAFT  
(L=92.2)



**MVC15T3** CLUTCH BELL  
15T



			
<b>MV105</b> WHEEL SHAFT (L=43MM) <2PCS>	<b>MV1131</b> BALL (IRON) 7*3MM,L=10 <4PCS>	<b>MV120</b> SNAP PIN TYPE"R" (L=27) <10PCS>	<b>MV134</b> WHEEL HUB (2PCS)
			
<b>MV1382</b> SHOCK SPRING SPACER	<b>MV1385</b> DUSTPROOF FOR SHOCK SHAFT (4PCS)	<b>MV1386</b> SHOCK REBUILD KIT	<b>MV1391</b> SHOCK SHAFT (L=61MM) <2SET>
			
<b>MV1393Y</b> SHOCK SPRING (1.6MM,L=80.5,YELLOW)	<b>MV1394B</b> SHOCK BODY (BLUE)	<b>MV1394TA</b> SHOCK BODY (TITANIUM)	<b>MV139BY</b> SHOCK ABSORBER
			
<b>MV139TAY</b> SHOCK ABSORBER	<b>MV197</b> ENGINE NUT (FOR O.S SHAFT)	<b>MV2031Y</b> AIR FILTER	<b>MV2032</b> AIR FILTER SPONGE (2PCS)
			
<b>MV204</b> ENGINE NUT (FOR S.G SHAFT)	<b>MV2052BA</b> REAR ADAPTE-R (BLACK)	<b>MV2271</b> F/R DIFF. GEAR ASSEMBLY	<b>MV2281</b> BEVEL GEAR
			
<b>MV2282</b> PINION GEAR 13T	<b>MV2285</b> DIFFERENTIAL (SET)	<b>MV3031</b> FUEL TANK (125C.C)	<b>MV308</b> ROD (L=32MM)

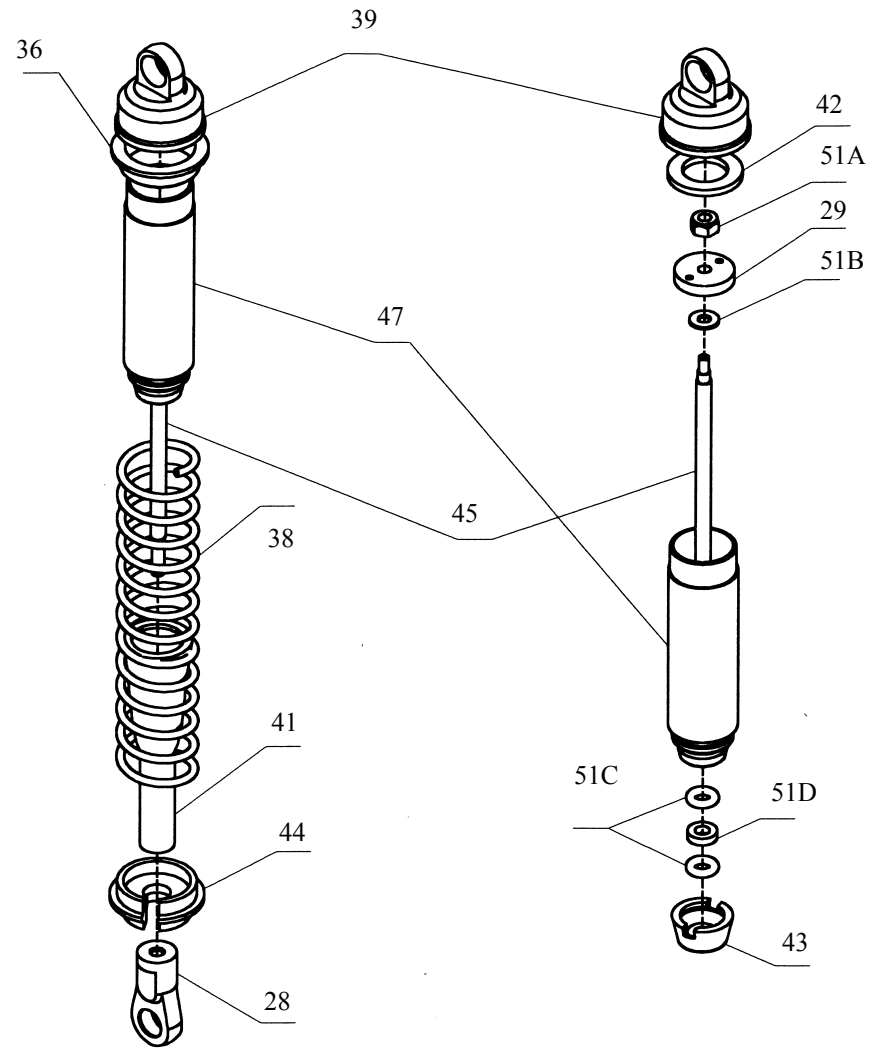
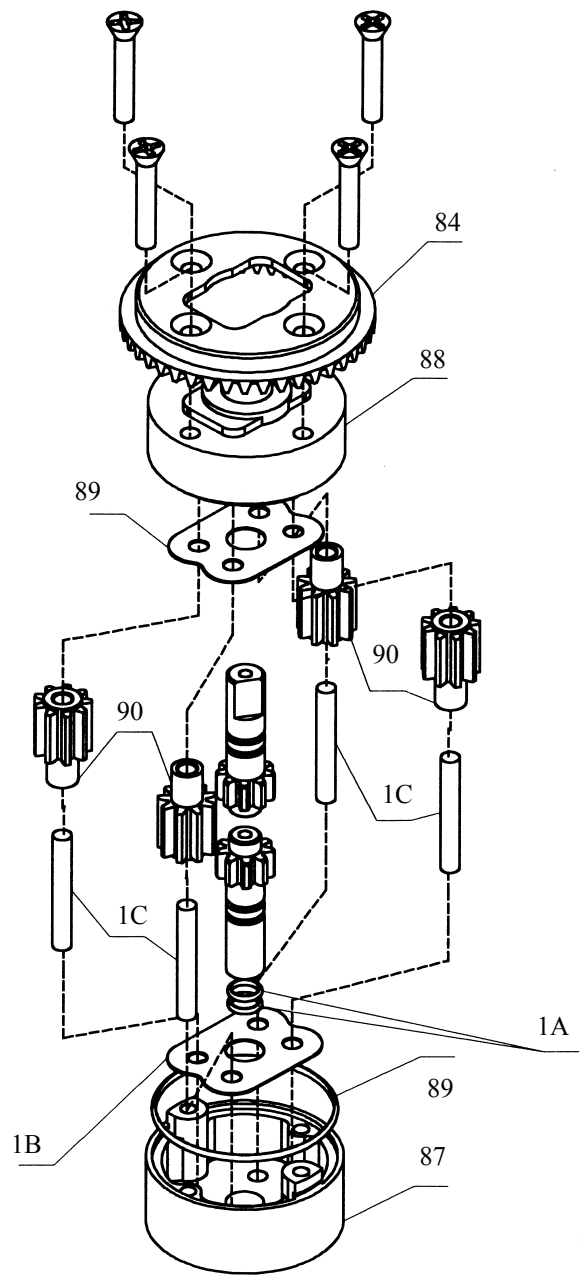
			
<b>MV309</b> BREAK DISK	<b>MV310</b> SERVO MOUNT SET	<b>MV3112B</b> ENGINE MOUNT SPACER (BLUE)	<b>MV3112TA</b> ENGINE MOUNT SPACER (TITANIUM)
			
<b>MV3113B</b> ENGINE MOUNT (BLUE)	<b>MV3113TA</b> ENGINE MOUNT (TITANIUM)	<b>MV3531</b> ROCKER PIN (4SET)	<b>MV3574</b> CVD CONNECT HEAD
			
<b>MV363</b> FLY WHEEL (ALU)	<b>MV37010GA</b> WHEEL CHORM (2PCS)	<b>MV36931</b> BIG TIRE (2PCS) <165*100>	<b>SE002</b> ROD STOPPER SET (4SET)
			
<b>SE0031Y</b> SMALL PLASTIC PARTS SET	<b>SE009</b> SILCONE TUBE	<b>CB198</b> CLUTCH SHOES	<b>CB199</b> CLUTCH SPRING
			
<b>CB399</b> PLASTIC SERVO SAVER	<b>V221514</b> BALL END (7*4) <L=25.5> (4PCS)	<b>V221523</b> BALL END (7*3) <L=22.5> (4PCS)	<b>V221534</b> BALL END (7*4) <L=25.5> (4PCS)
			
<b>PINR 20X98</b> PIN 2X9.8	<b>BB050825</b> B.B. 5X8X2.5 (1)	<b>BB061305</b> B.B. 6X13X5 (1)	<b>BB081605</b> B.B. 8X16X5 (1)



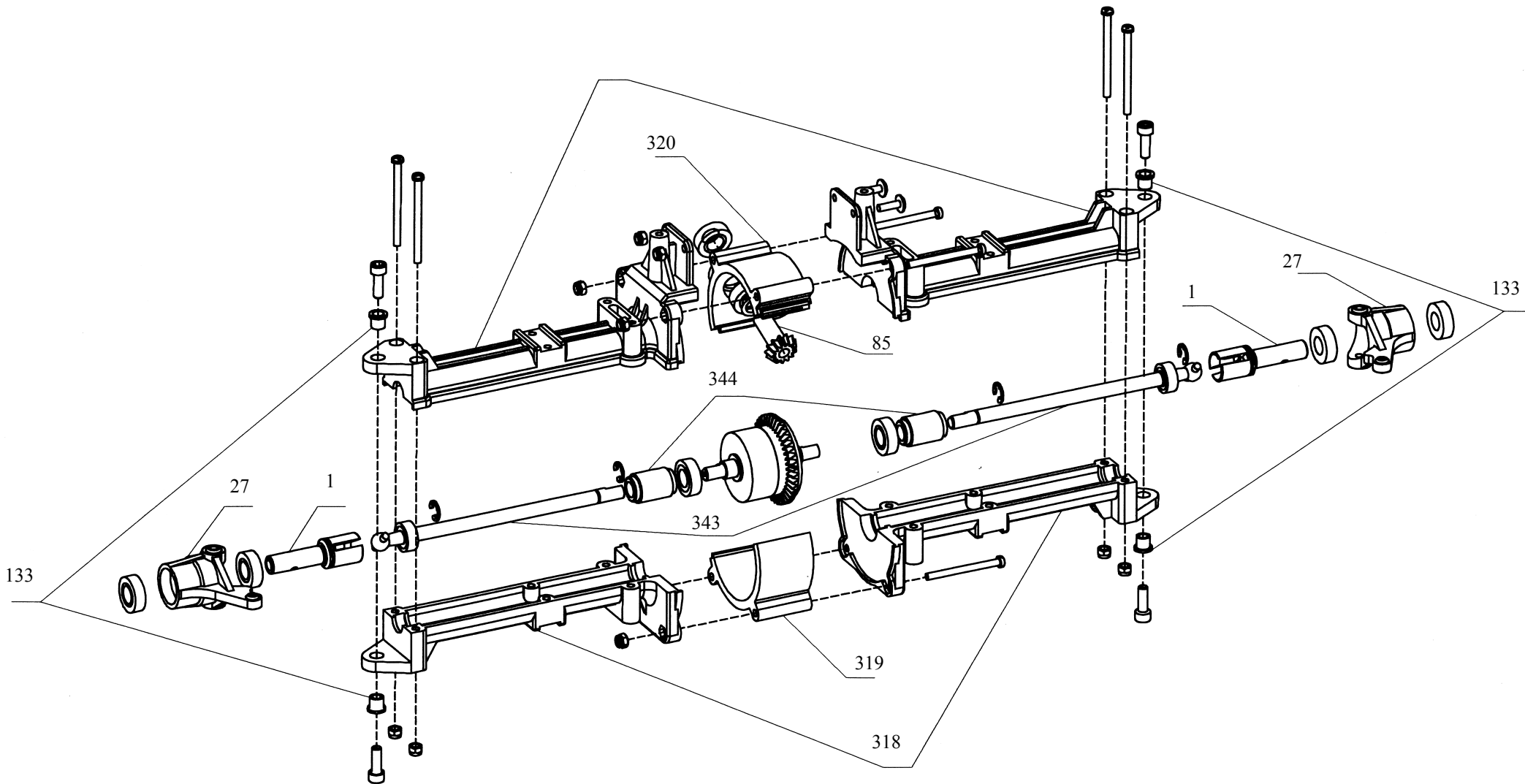
<b>BB081235T</b> B.B. 8X12X3.5 (1)			

## Option Parts

<b>SS1101B</b> ABSORBER LEVER MOUNT <ALLU,BLUE> (2)	<b>SS11021B</b> ABSORBER LEVER <ALLU,BLUE> (2)	<b>SS1321B</b> ROD MOUNT <ALLU,BLUE> (2)	<b>SS1403B</b> WHEELIE BAR <ALLU,BLUE> (2SET)
<b>SS3041B</b> GEAR BOX MOUNT <ALLU,BLUE> (2PCS)	<b>SEM2032</b> AIR FILTER SPONGE FOR ROUND	<b>SE030</b> DUSTPROOF FOR SWITCH (2PCS)	<b>SE110</b> SILICONE SHOCK OIL <#400> (2oz)
<b>SE120</b> AIR CLENER OIL (2oz)	<b>SEM2287</b> DIFFERENTIAL CASE (ALLU)	<b>MV2286</b> DIFF. INNER GEAR (STEEL)	
<b>MVC16T3</b> CLUTCH BELL 16T			
<b>MVC17T3</b> CLUTCH BELL 17T			
<b>MVC18T3</b> CLUTCH BELL 18T			



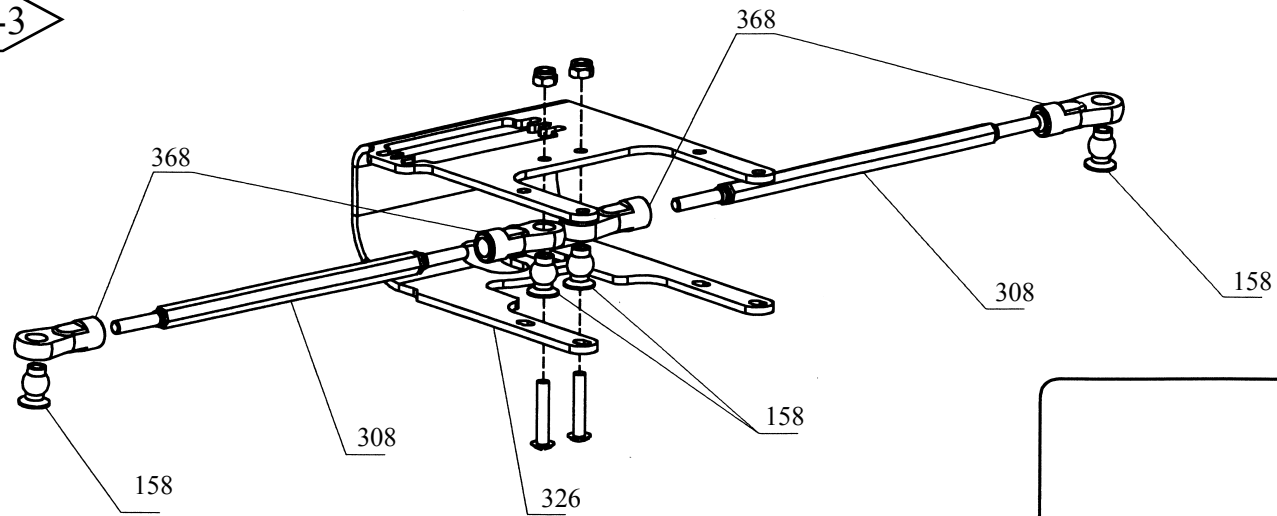
<EXPLODE VIEW 1>  
<DIFFERENTIAL & ABSORBER>



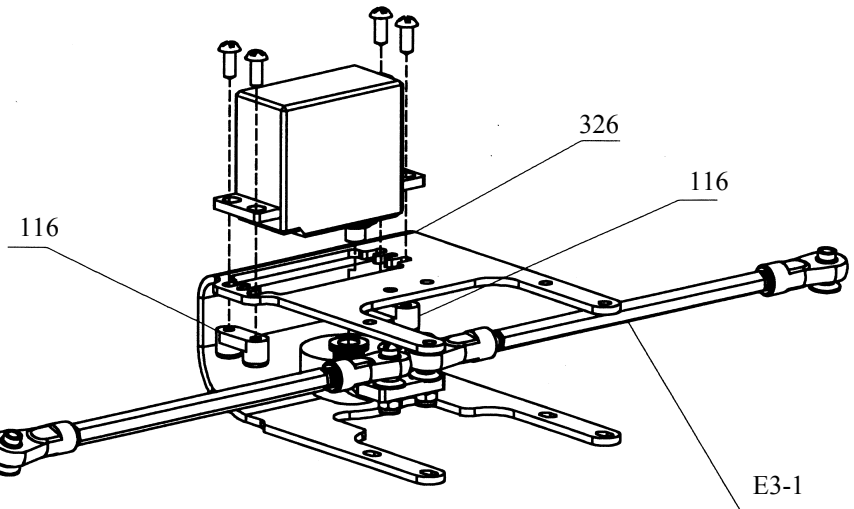
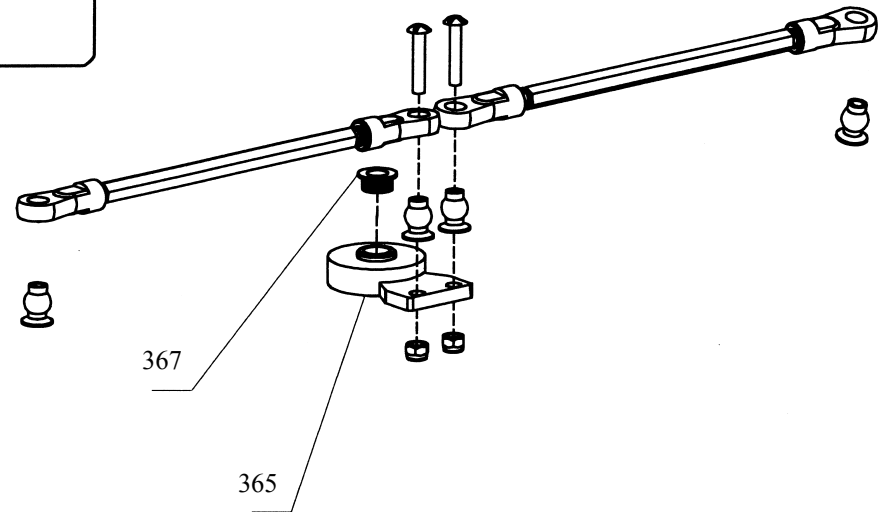
**<EXPLODE VIEW 2>**  
**<F&R GEAR BOX>**

E2-1

E3-3

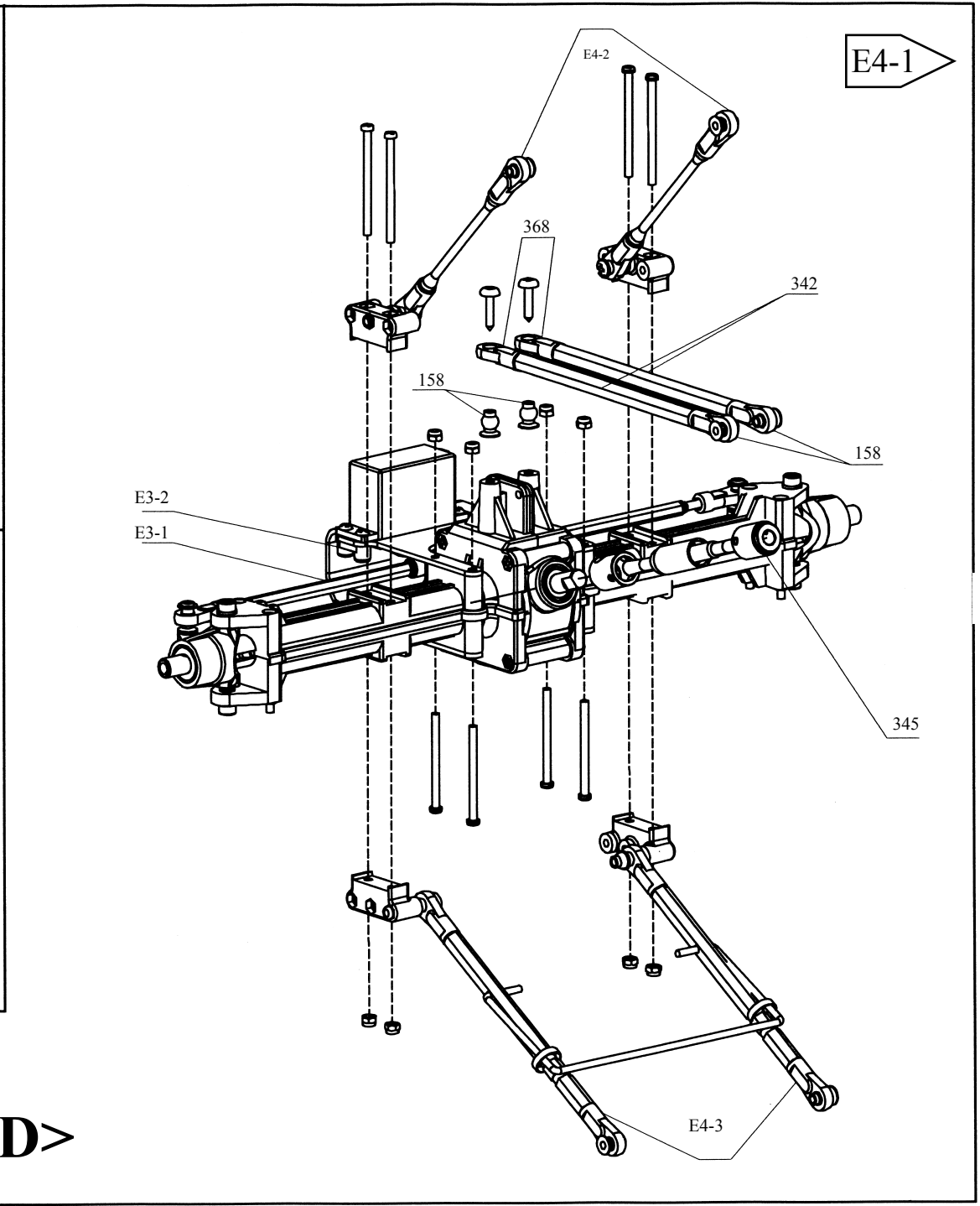
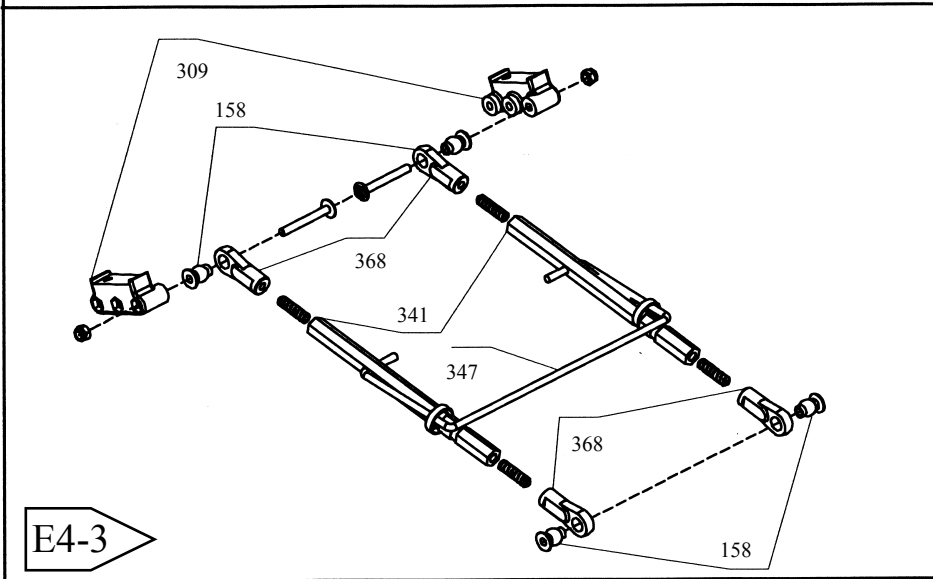
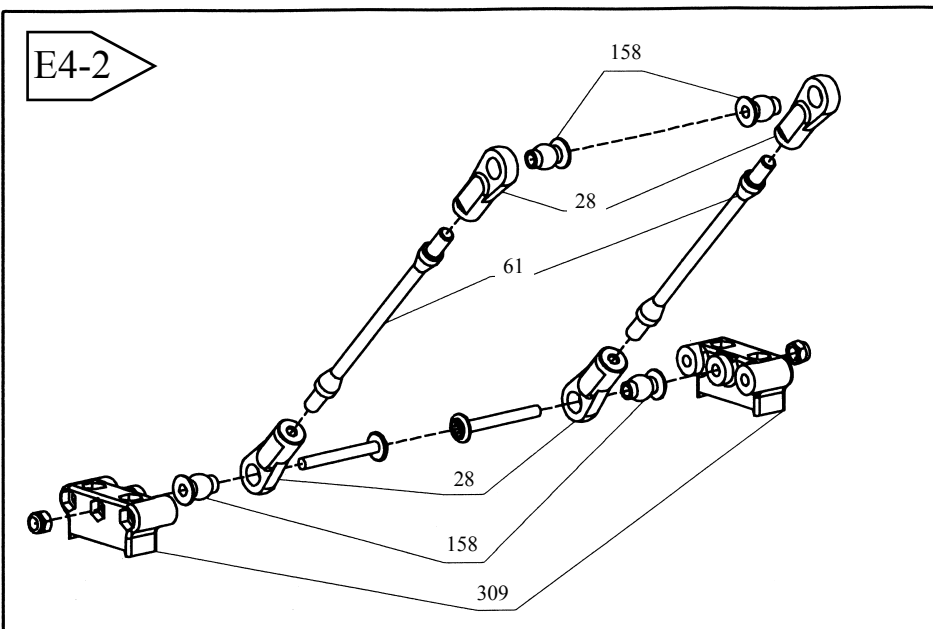


E3-1



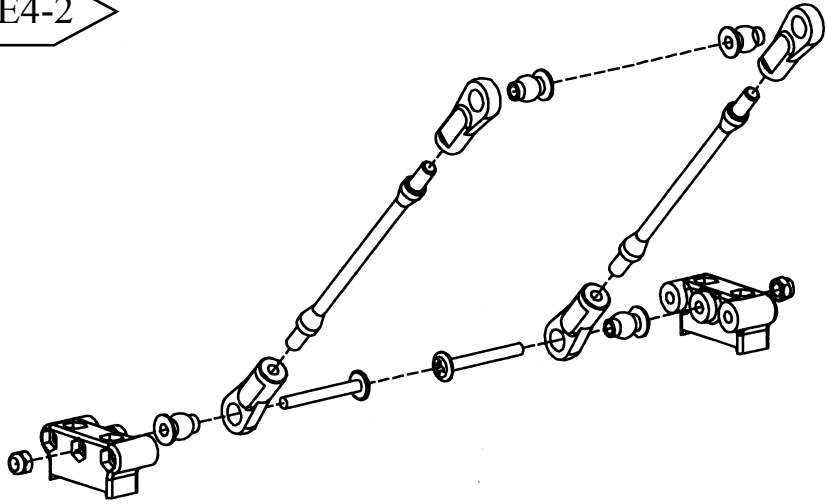
E3-2

**<EXPLODE VIEW 3>**  
**<SERVO PLATE>**

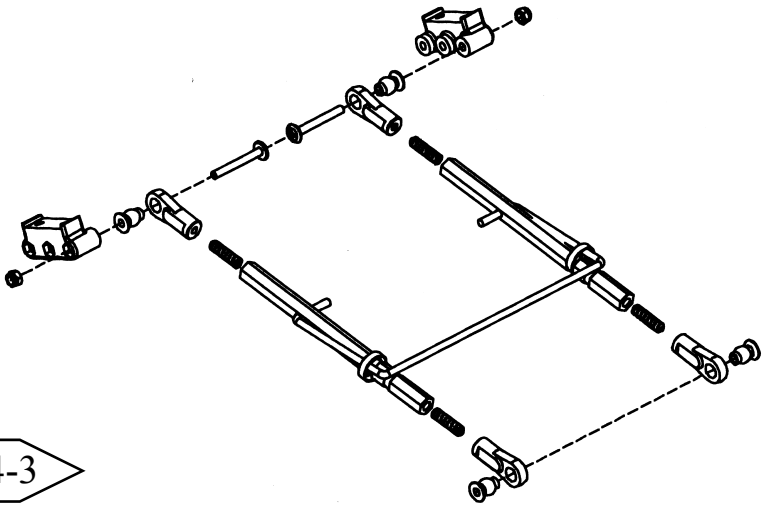


<EXPLODE VIEW 4>  
 <FRONT GEAR BOX & ROD>

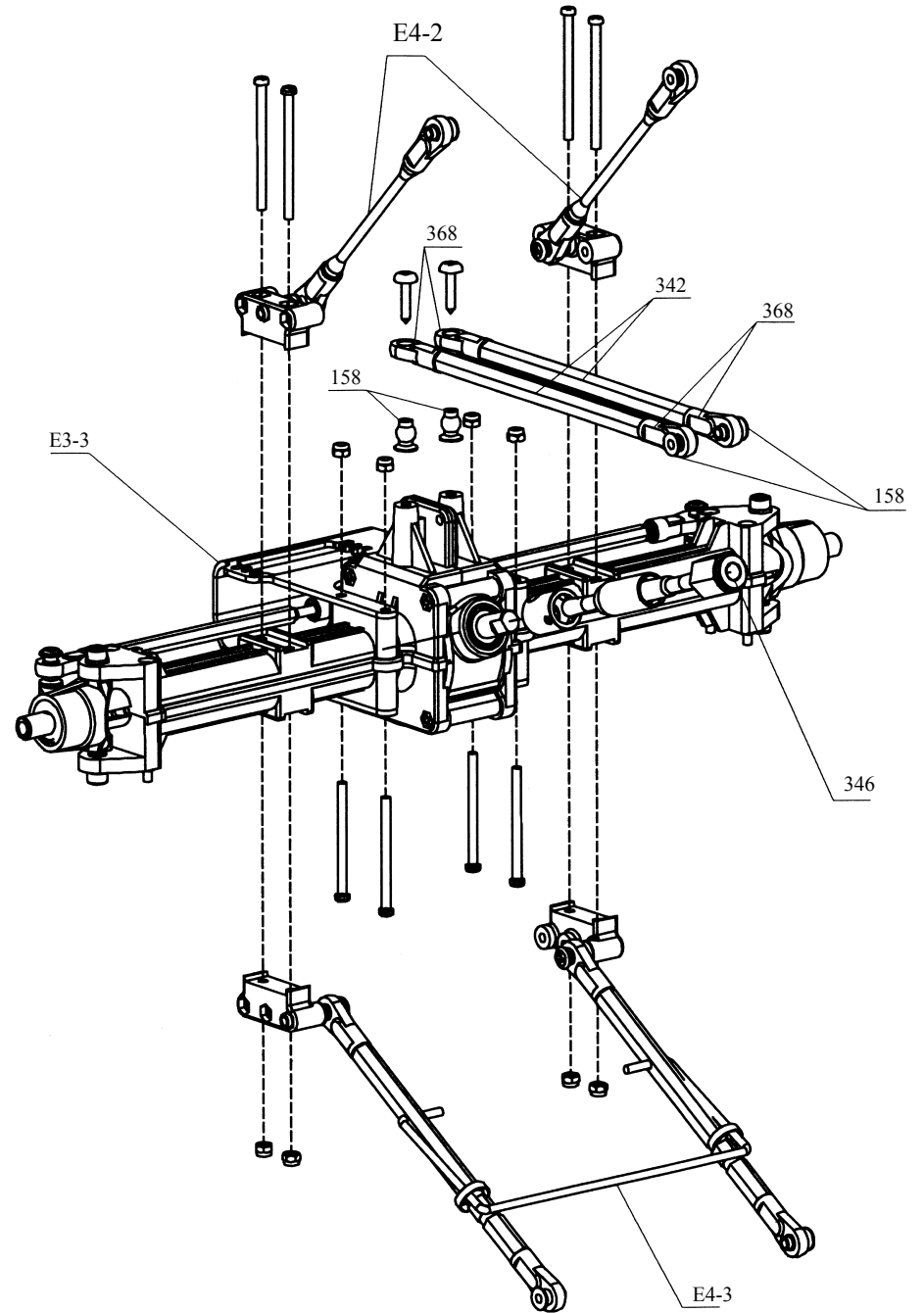
E4-2



E4-3

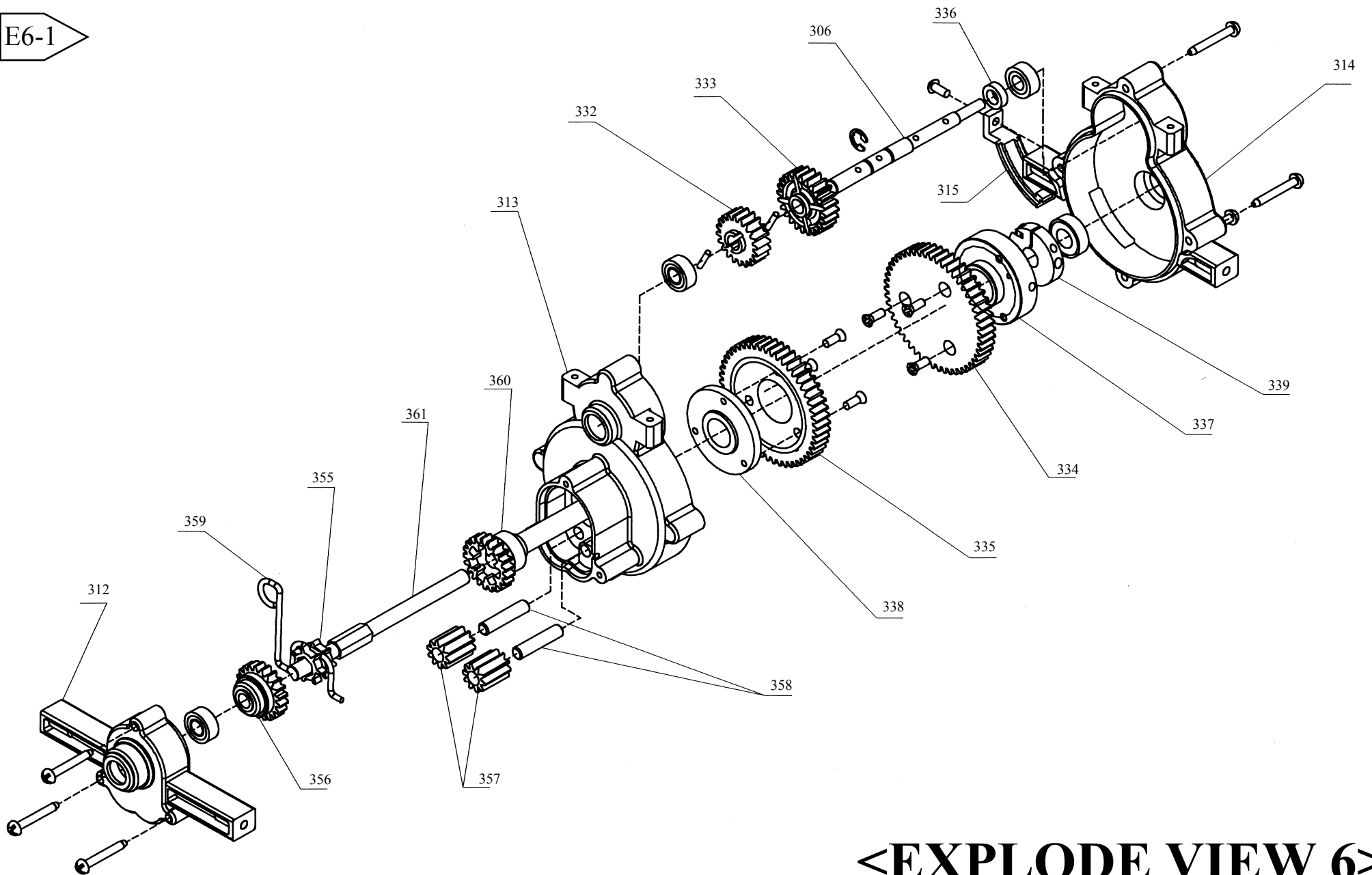


E5-1



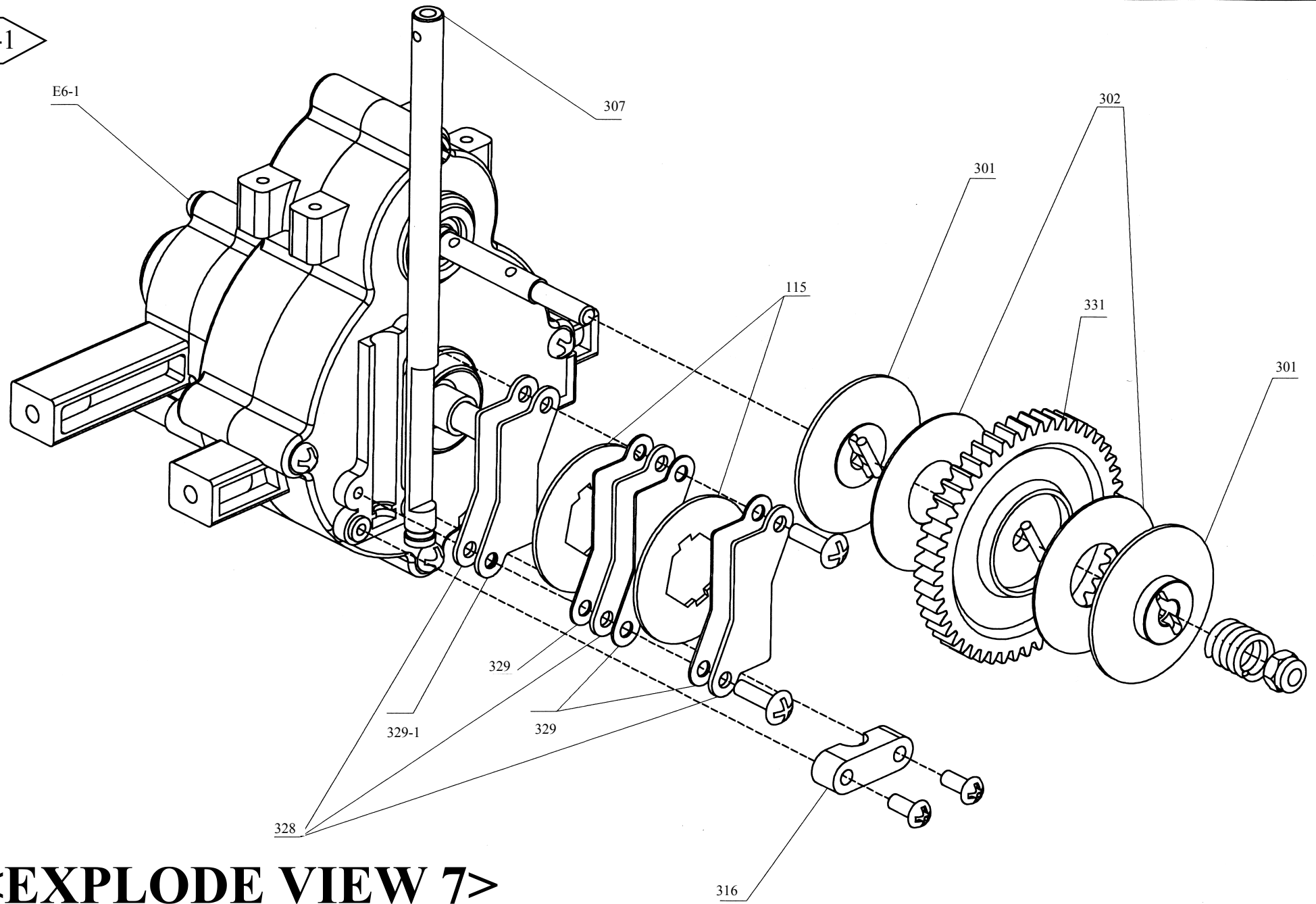
<EXPLODE VIEW 5>  
 <FRONT GEAR BOX & ROD>

E6-1



**<EXPLODE VIEW 6>**  
**<MAIN GEAR BOX>**

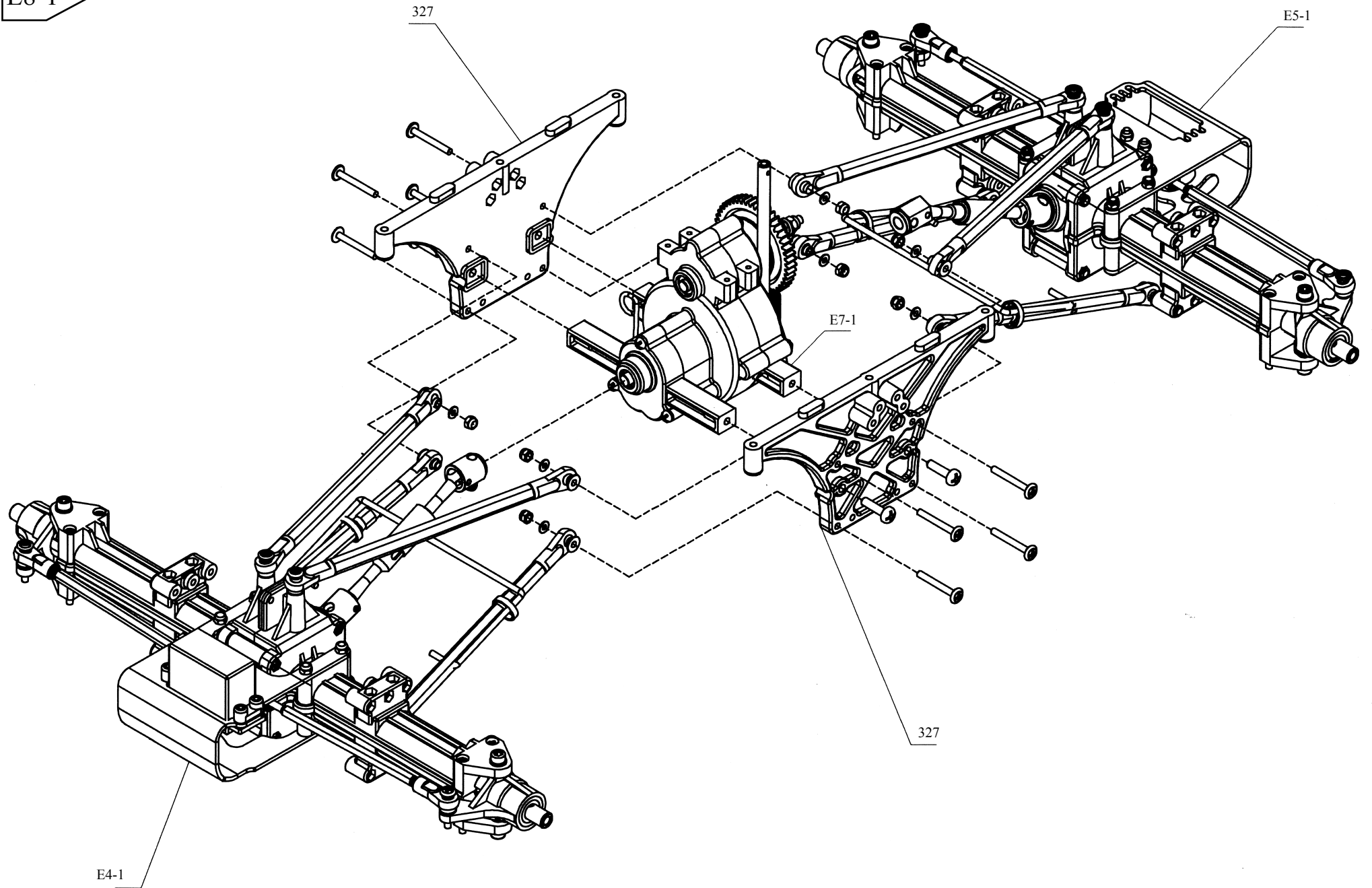
E7-1



**<EXPLODE VIEW 7>**  
**<BREAK & TORSION PAD>**

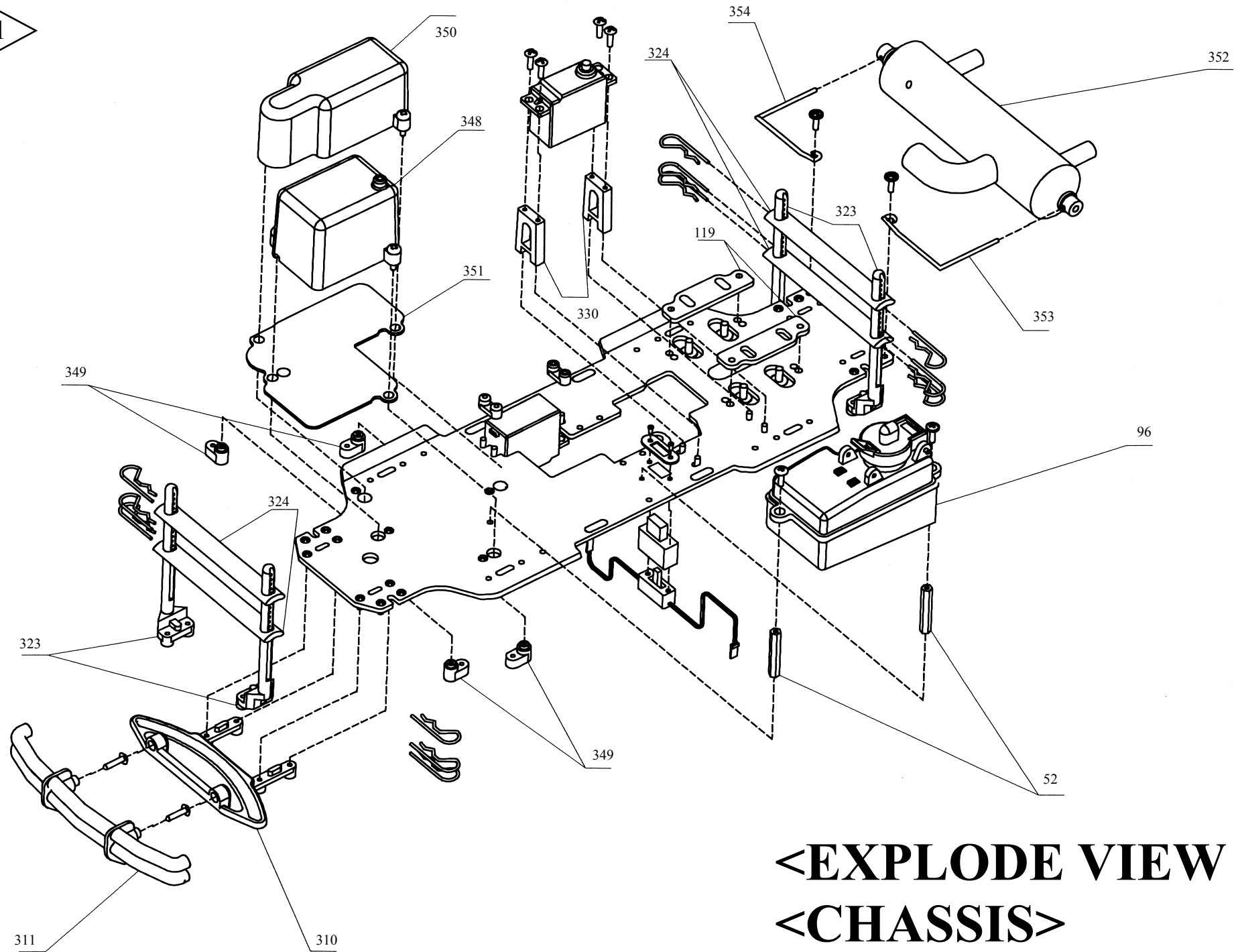


E8-1

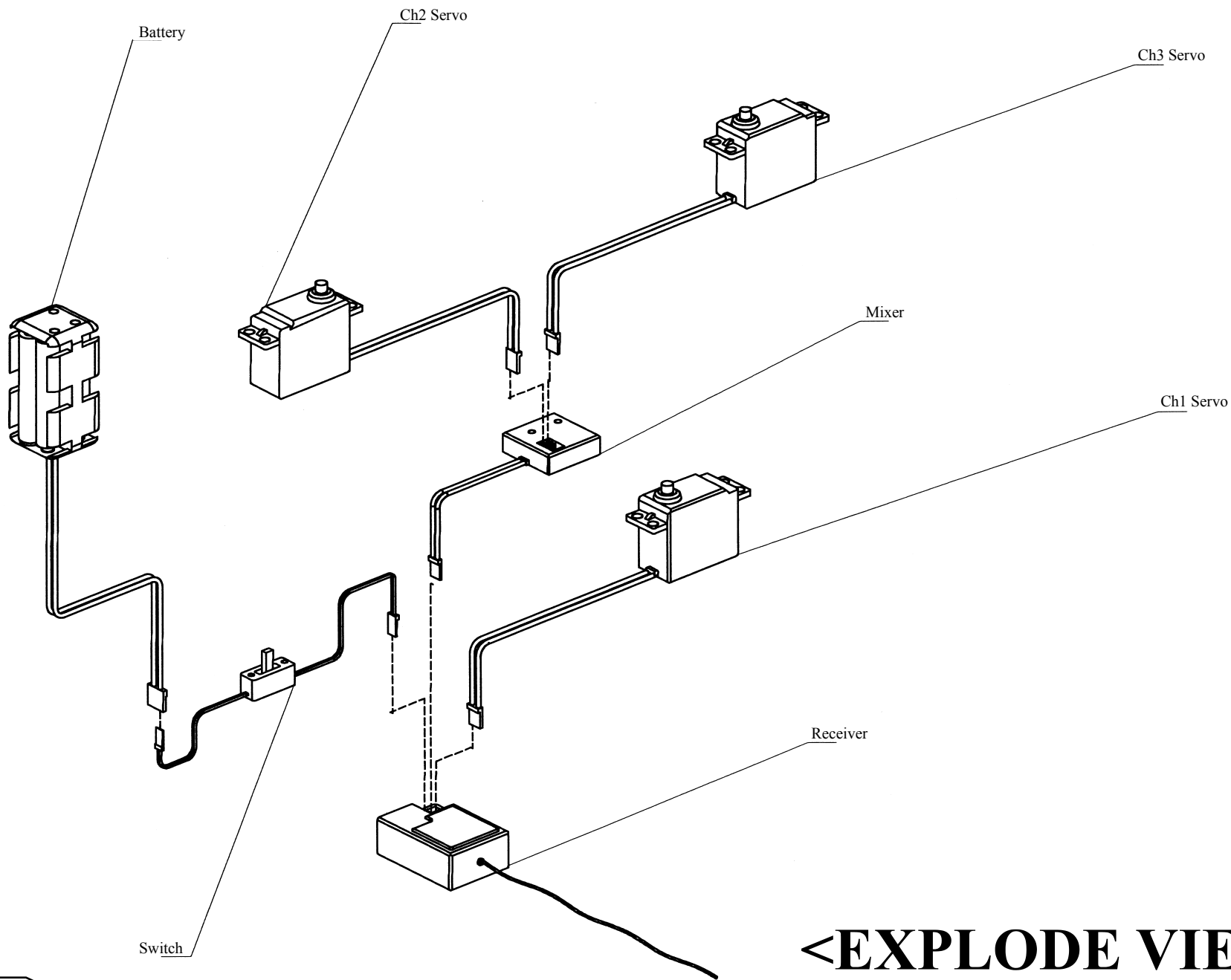


<EXPLODE VIEW 8>

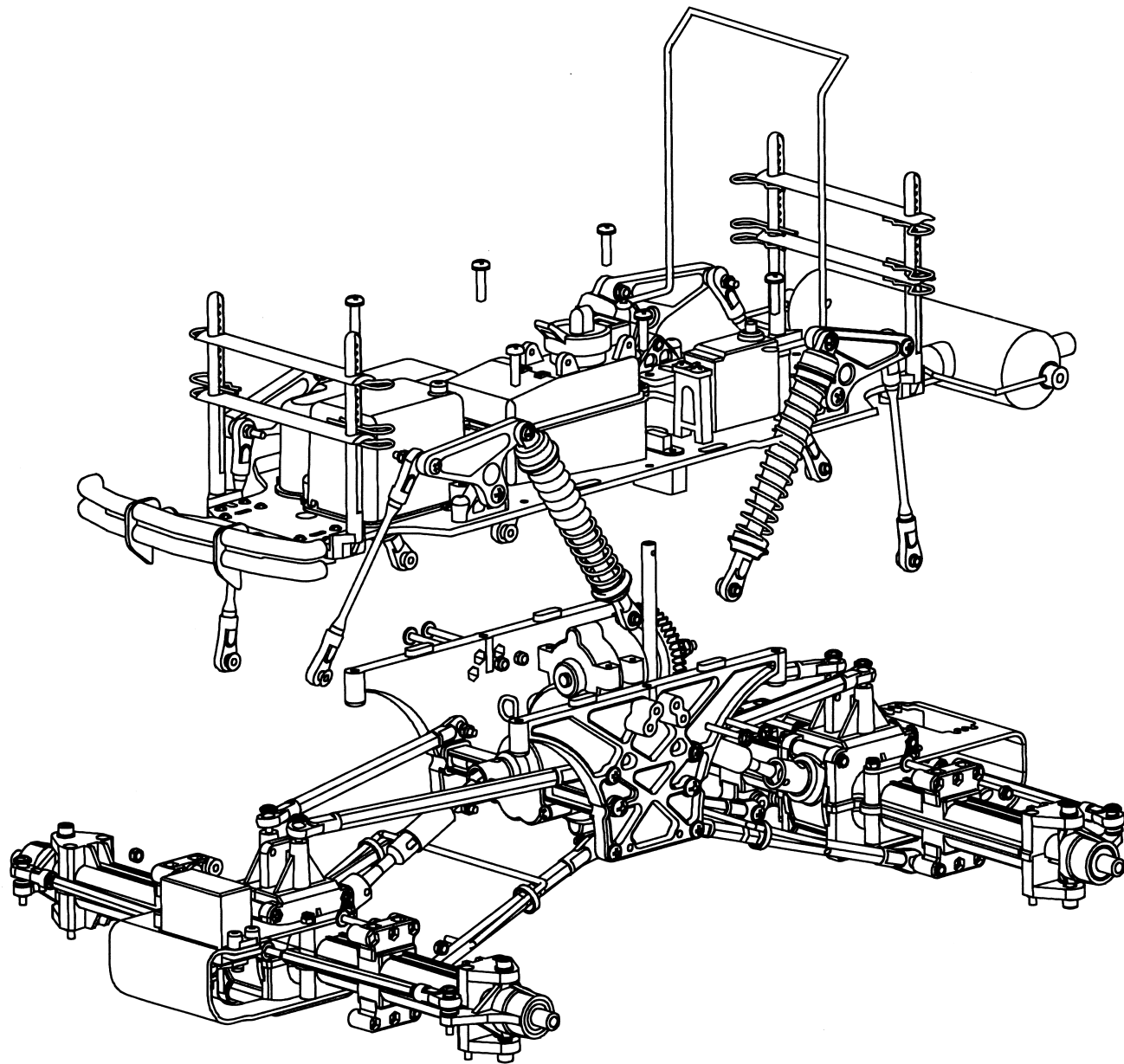
E9-1



**<EXPLODE VIEW 9>**  
**<CHASSIS>**



<EXPLODE VIEW 10>



**<EXPLODE VIEW 11>**